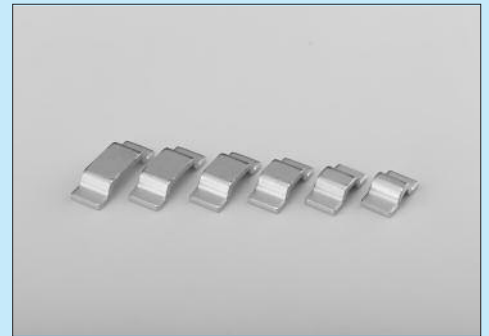


## Jumper for high current [MJX series]

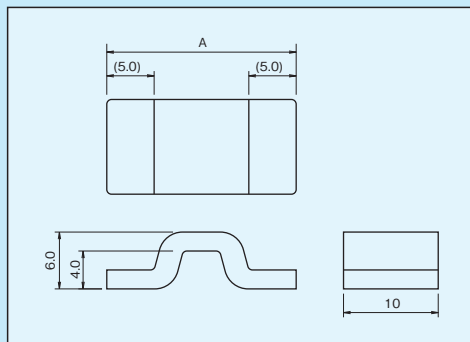
- Can apply higher current than MJW series.
- This is used for applying high current to a thick copper board, etc.
- Material: Copper
- Finish: Tin plating over nickel base
- Rated current: 100A



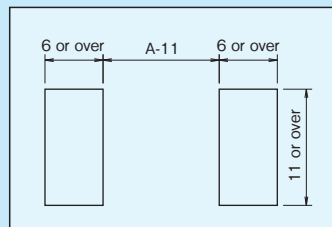
### Part number

Part number	A	Package	B	C	D	E	F	W
MJX-0.3	17.62	Bulk (100 pcs/pack)						
MJX-0.3-T	17.62	Reel (250 pcs/reel)	33.5	18.12	2.22	14.2	28.4	32
MJX-0.4	20.16	Bulk (100 pcs/pack)						
MJX-0.4-T	20.16	Reel (200 pcs/reel)	33.5	20.66	4.76	14.2	28.4	32
MJX-0.5	22.70	Bulk (100 pcs/pack)						
MJX-0.5-T	22.70	Reel (200 pcs/reel)	45.5	23.2	7.3	20.2	40.4	44
MJX-0.6	25.24	Bulk (100 pcs/pack)						
MJX-0.6-T	25.24	Reel (150 pcs/reel)	45.5	25.74	9.84	20.2	40.4	44
MJX-0.7	27.78	Bulk (100 pcs/pack)						
MJX-0.7-T	27.78	Reel (150 pcs/reel)	45.5	28.28	12.38	20.2	40.4	44
MJX-0.8	30.32	Bulk (100 pcs/pack)						
MJX-0.8-T	30.32	Reel (150 pcs/reel)	45.5	30.82	14.92	20.2	40.4	44

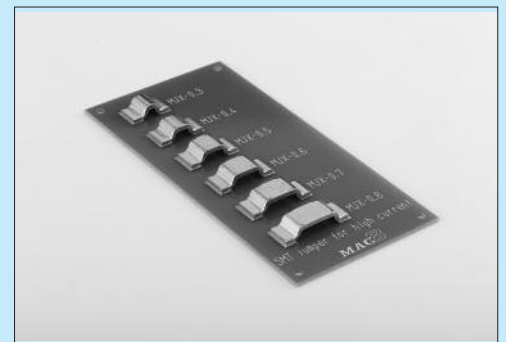
### Dimension



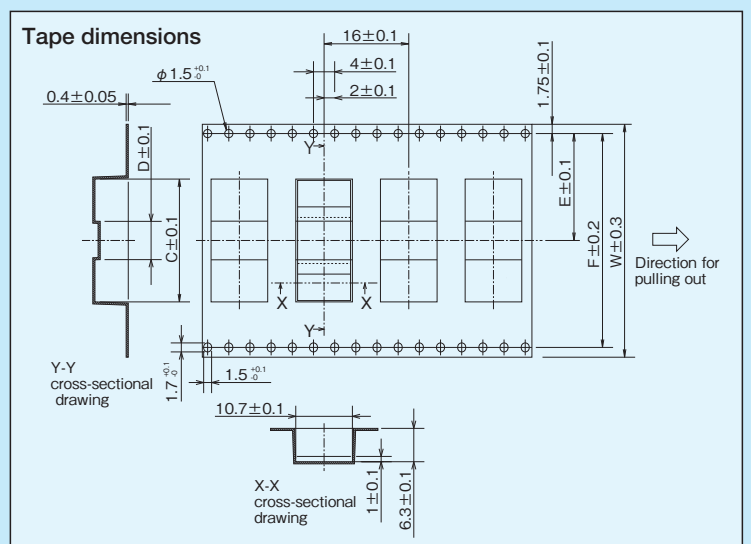
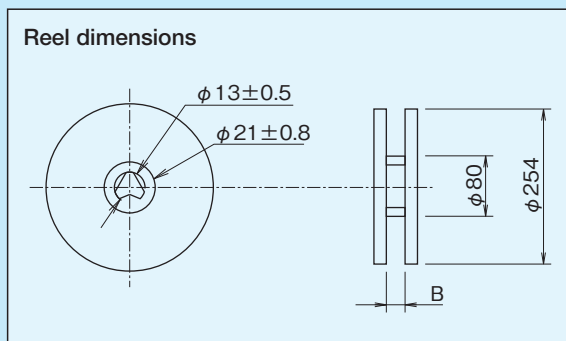
### Recommended land diameter



### Example of usage



### MJX-□-T Dimensions



For surface mounting