

Two-tiered pin for high current

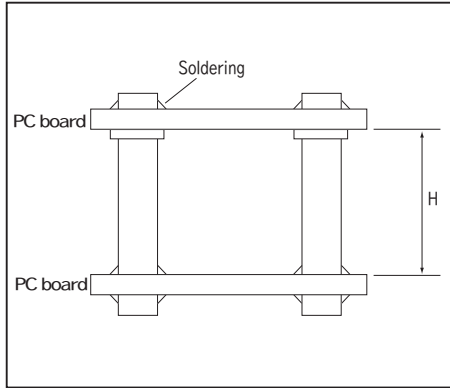
**DW-4 series** (100 pcs / pack)

- Please use for high current printed circuit boards two tier connection.
- Rated current: 80A
- Material: Copper
- Finish: Tin plating over nickel base

■ Part No.

Part No.	L	H
DW-4-5	5	5
DW-4-8	8	8
DW-4-10	10	10
DW-4-15	15	15
DW-4-20	20	20
DW-4-25	25	25
DW-4-30	30	30
DW-4-35	35	35
DW-4-40	40	40

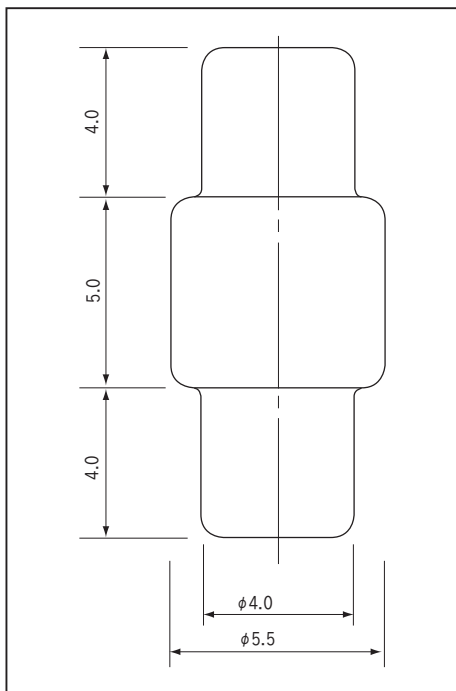
■ Reference drawing



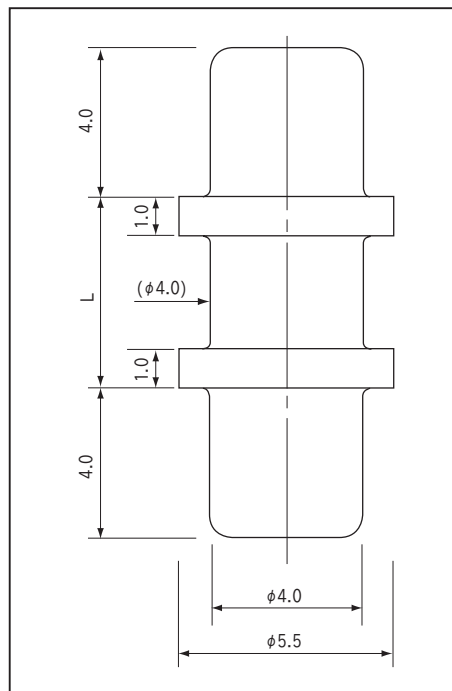
■ Example of use



■ Dimensional drawing



DW-4-5



DW-4-8 to DW-4-40

■ (Reference) Recommended land information

