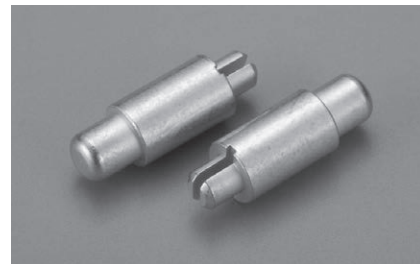


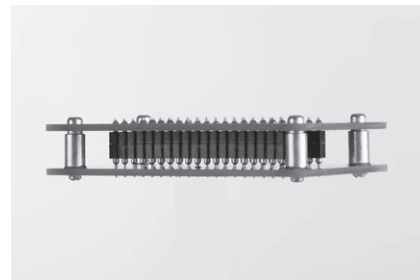
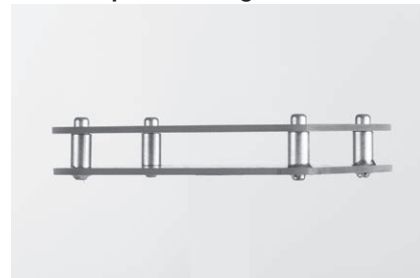
**Positioning pin**

**PST-4 series (100pcs/pack)**

- This can be used for positioning of the two tiered PCB.
- This can prevent bending the pin when inserting and removing, of the two-tiered PCB.
- This can use together with spring probe.
- Material.....Brass
- Finish.....Tin plating over nickel base
- Operating temperature range.....- 40 to + 150°C
- Recommended land information.....TH diameter :  $\phi 3.0^{-0}$  land diameter :  $\phi 6$  or over
- Slave board side recommended hole diameter..... $\phi 4.0^{-0}$



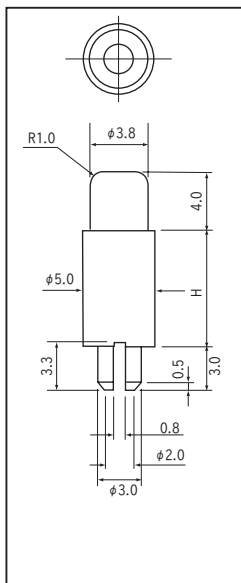
■ Example of usage



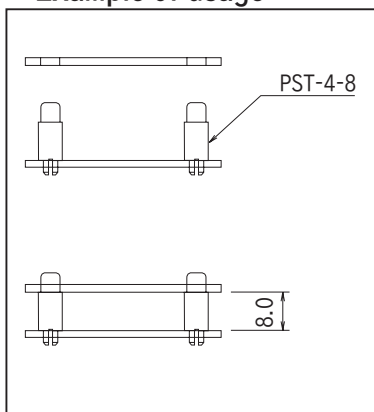
■ Part No.

Part No.	H
PST-4-5	5.0
PST-4-6	6.0
PST-4-7	7.0
PST-4-8	8.0
PST-4-9	9.0
PST-4-10	10

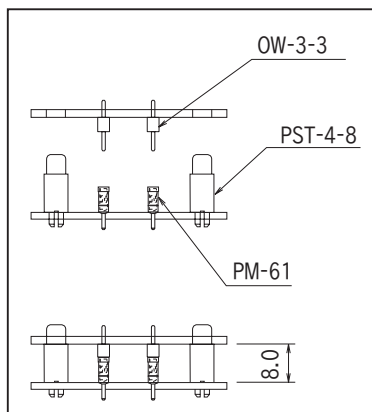
■ Dimension



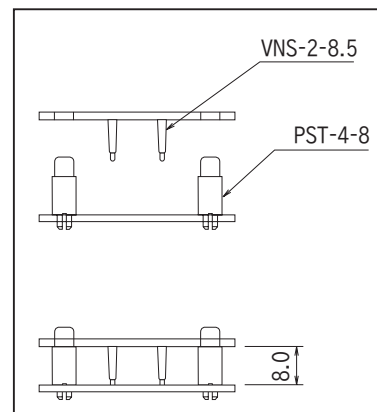
■ Example of usage



Use as positioning pin of the two-tiered PCB



Use as a terminal for two-tiered PCB



Use together with spring probe