

Cube type socket

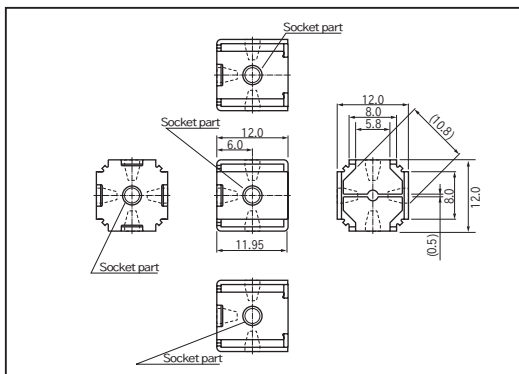
BBS series

- Pins can be inserted from 5 directions.
- This can make the PCB fixed in a cube (as shown in the below example).
- Please choose the socket according to the male pin diameter.
- Size of the 5 direction-socket are the same.
- Material Body: Copper t0.8
Contact: Beryllium copper
- Finish Body: Tin plating over nickel base
Contact: Gold plating over nickel base
- Contact resistance: 20m Ω or less
- Insertion / removal durability: 100 cycles
- Operating temperature range: - 40 to + 125°C

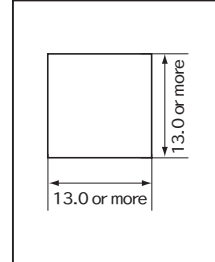
■ Part No.

Part No.	Adaptive male pin diameter	Rated current	Insertion removal forces (g or over)	Male pin contact point	Package quantity	Package quantity
BBS-12-1.0	φ 0.9 to φ 1.1	5A	70	3.2	Bulk	100 pcs
BBS-12-1.0-T	φ 0.9 to φ 1.1	5A	70	3.2	Reel	200 pcs
BBS-12-1.5	φ 1.3 to φ 1.6	15A	100	3.4	Bulk	100 pcs
BBS-12-1.5-T	φ 1.3 to φ 1.6	15A	100	3.4	Reel	200 pcs
BBS-12-2.0	φ 1.7 to φ 2.0	20A	100	4.0	Bulk	100 pcs
BBS-12-2.0-T	φ 1.7 to φ 2.0	20A	100	4.0	Reel	200 pcs

■ Dimension



■ Recommended land information

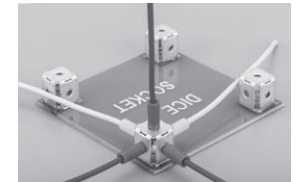


■ Recommended metal mask thickness

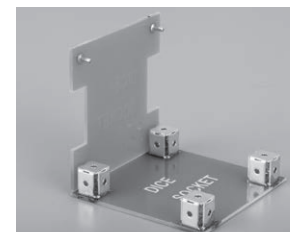
- 150 μm to 200 μm



■ Example of usage



Insert OP series



Fit vertically by using male pin

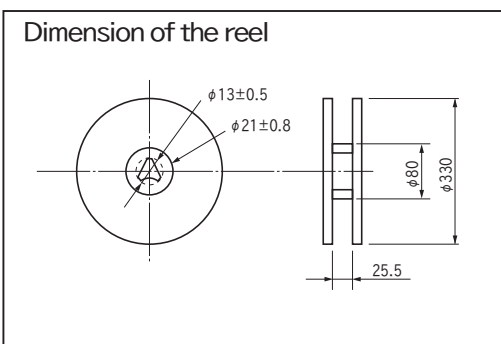


Forming cube by using male pin

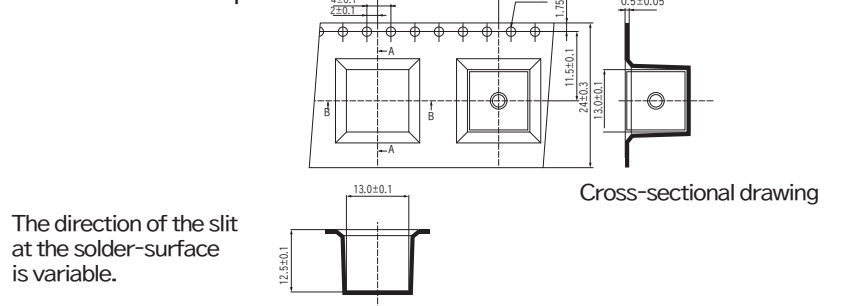
■ Instruction for use

- ※ In case of solder not flow into the 2 slit of the mounting surface, use soldering iron to help.
- When removing the male pin, please remove vertically to avoid damage to the socket.

■ Dimension of the reel



Dimension of the tape



- There is an adsorption film on BBS- □ - □ -T. Please remove the film after reflow.