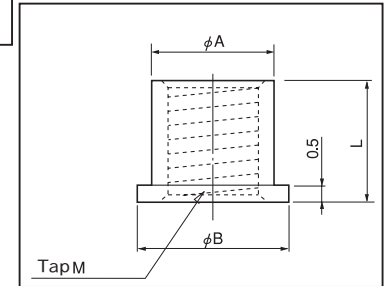
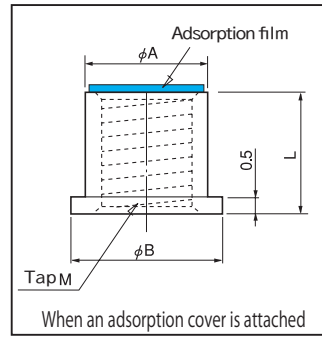


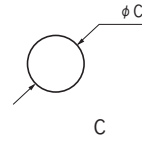
Spacer for surface mounting (M2, M2.5, M2.6, M3 type)

SSB series

- A chip mounter can be used for this spacer.
- Please fit to the surface mounting board and solder by reflow.
- This can be used for various purposes such as fitting a panel, fitting to a housing, and supplying of electric wire.
- Please remove the adsorption film after reflow.
- The jig for removing adsorption films (Part No.: TH-JIG) is available.
- Material: Brass
- Finish: Tin plating over nickel base
- Tap: M2 type P = 0.4
 M2.5 type P = 0.45
 M2.6 type P = 0.45
 M3 type P = 0.5



■ Recommended land information



- 2SSB..... 4.5
- 2.5SSB... 5.0
- 2.6SSB... 5.0
- 3SSB..... 5.5

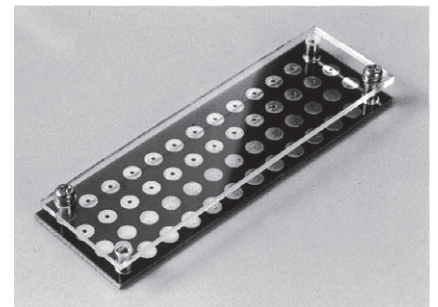
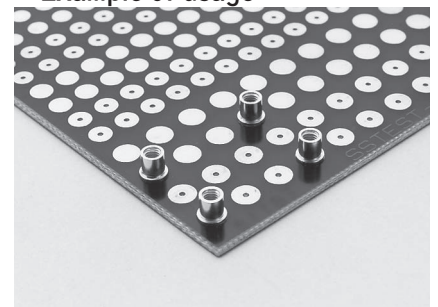
■ Tightening torque

- 2SSB..... 1.0kgf-cm or less
- 2.5SSB... 3.0kgf-cm or less
- 2.6SSB... 3.0kgf-cm or less
- 3SSB..... 3.0kgf-cm or less

■ Recommended metal mask thickness

150 μm to 200 μm

■ Example of usage



Part No.	A	B	L	M	Package
2SSB-2.0	3.0	4.0	2.0	M2	Reel (500pcs/reel)
2SSB-2.5	3.0	4.0	2.5	M2	Reel (500pcs/reel)
2SSB-3.0	3.0	4.0	3.0	M2	Reel (500pcs/reel)
2SSB-3.5	3.0	4.0	3.5	M2	Reel (400pcs/reel)
2SSB-4.0	3.0	4.0	4.0	M2	Reel (400pcs/reel)
2SSB-4.5	3.0	4.0	4.5	M2	Reel (350pcs/reel)
2SSB-5.0	3.0	4.0	5.0	M2	Reel (350pcs/reel)
2.5SSB-2.5	3.5	4.5	2.5	M2.5	Reel (500pcs/reel)
2.5SSB-3.0	3.5	4.5	3.0	M2.5	Reel (500pcs/reel)
2.5SSB-3.5	3.5	4.5	3.5	M2.5	Reel (400pcs/reel)
2.5SSB-4.0	3.5	4.5	4.0	M2.5	Reel (400pcs/reel)
2.5SSB-4.5	3.5	4.5	4.5	M2.5	Reel (350pcs/reel)
2.5SSB-5.0	3.5	4.5	5.0	M2.5	Reel (350pcs/reel)
2.6SSB-2.5	3.5	4.5	2.5	M2.6	Reel (500pcs/reel)
2.6SSB-3.0	3.5	4.5	3.0	M2.6	Reel (500pcs/reel)
2.6SSB-3.5	3.5	4.5	3.5	M2.6	Reel (400pcs/reel)
2.6SSB-4.0	3.5	4.5	4.0	M2.6	Reel (400pcs/reel)
2.6SSB-4.5	3.5	4.5	4.5	M2.6	Reel (350pcs/reel)
2.6SSB-5.0	3.5	4.5	5.0	M2.6	Reel (350pcs/reel)
3SSB-2.5	4.0	5.0	2.5	M3	Reel (500pcs/reel)
3SSB-3.0	4.0	5.0	3.0	M3	Reel (500pcs/reel)
3SSB-3.5	4.0	5.0	3.5	M3	Reel (400pcs/reel)
3SSB-4.0	4.0	5.0	4.0	M3	Reel (400pcs/reel)
3SSB-4.5	4.0	5.0	4.5	M3	Reel (350pcs/reel)
3SSB-5.0	4.0	5.0	5.0	M3	Reel (350pcs/reel)

- We also sell the bulk product (without adsorption film).

3SSB-3.0-B 100pcs/pack
 Please specify -B.

■ Instructions for use

- Solder may go up to the screw part. Therefore, the screw on the PC board side may become hard by 1 to 2 threads.
- Please use it with the tightening torque or less.
- Making the metal mask thickness thicker is effective for increasing the torque.

- 2SSB - 2.0 to 3.0
- 2.5SSB - 2.5 to 3.0
- 2.6SSB - 2.5 to 3.0
- 3SSB - 2.5 to 3.0
- 2SSB - 3.5 to 4.0
- 2.5SSB - 3.5 to 4.0
- 2.6SSB - 3.5 to 4.0
- 3SSB - 3.5 to 4.0
- 2SSB - 4.5 to 5.0
- 2.5SSB - 4.5 to 5.0
- 2.6SSB - 4.5 to 5.0
- 3SSB - 4.5 to 5.0

