

Male pin for HH-5

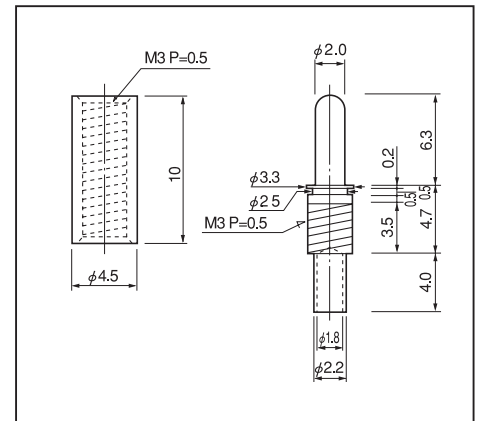
Part No.: **OP-50-2** (10pcs/pack)

- This male pin is used for the power supply connector for surface mounting (HH-5 series).
- Please use the electric wire by soldering or crimping.
- For crimping, please use the edge tool (Part No.: X-9) of the crimping tool (Part No.: OMXT-1).
- The six resin colors, BLACK, RED, YELLOW, GREEN, BLUE, WHITE
- Material Pin part: Brass
Resin part: Acetal copolymer (UL94HB)
- Finish: Gold plating over nickel base
- Rated current: 20A
- Electric wire diameter that can be fit: Thinner than AWG18



■ **How to order**

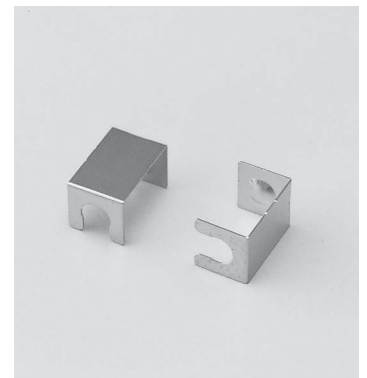
OP-50-2 RED
 Please specify the color.
 (BLACK, RED, YELLOW, GREEN, BLUE, WHITE)



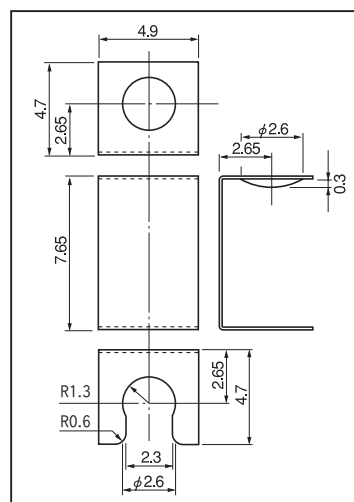
Metal lock fitting for HH-5

Part No.: **HH-5-R** (100pcs/pack)

- This product is a metal fitting to prevent the male pin (OP-50-2) which is attached to the power supply connector for surface mounting (HH-5 series) from being taken off.
- This is used to prevent a pin from being taken off on a place with vibration and to increase the reliability.
- When removing, please insert the tweezer edge in the space on the upper part to raise and take it off.
- Material: Beryllium copper
- Finish: Nickel plating



■ **Part No.:** HH-5-R



■ **Example of usage**

