

Banana plug jack for surface mounting

Part No.: **BH-6-15**

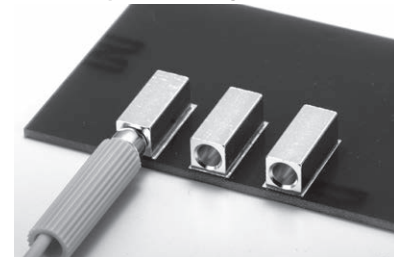
- This jack can be fit to a surface mounting board.
- It is adaptive for a banana plug [BN series].
- This is used for taking out power supply and signals.
- Material: Brass
- Finish: Gold plating over nickel base
- Rated current: 15A
- Adaptive plug: BN series
- Operating temperature range: - 40 to + 150°C



Part No.

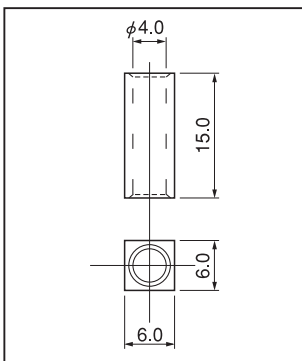
Part No.	Package
BH-6-15	Bulk (10pcs/pack)
BH-6-15-T	Reel (150pcs/reel)

Example of usage

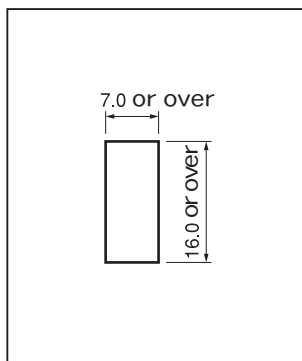


When using BN series

Dimension



Recommended land information



Dimension of the reel

