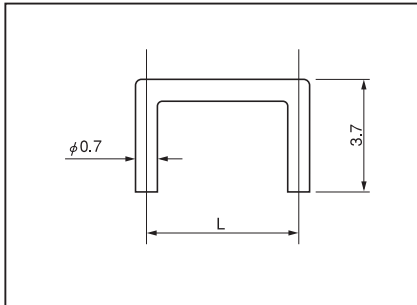
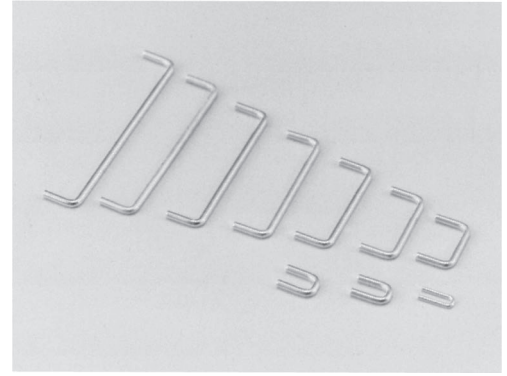


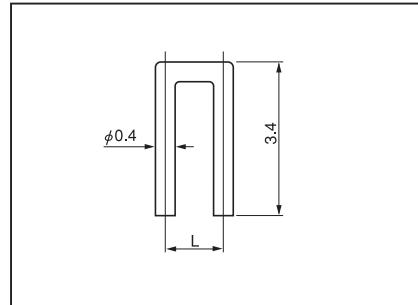
Jumper wire

JR series (1000pcs/pack)

- This is used for a jumper on a circuit.
- Material: Brass (JR-07 to JR-10)
Phosphor bronze (JR-04, JR-05)
- Finish: Tin plating over nickel base
- Rated current: 3A
- Printed board fitting hole diameter:
 - 0.8 (JR-07 to JR-10) (The drawing on the left side)
 - 0.5 (JR-04, JR-05) (The drawing on the right side)



JR-07 to JR-10



JR-04, JR-05

Part No.	L
JR-07	1.778
JR-08	2.0
JR-1	2.54
JR-2	5.08
JR-3	7.62
JR-4	10.16
JR-5	12.7
JR-6	15.24
JR-7	17.78
JR-8	20.32
JR-9	22.86
JR-10	25.4

Part No.	L
JR-04	1.0
JR-05	1.27