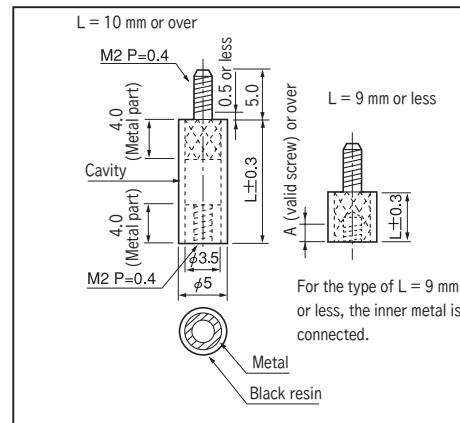
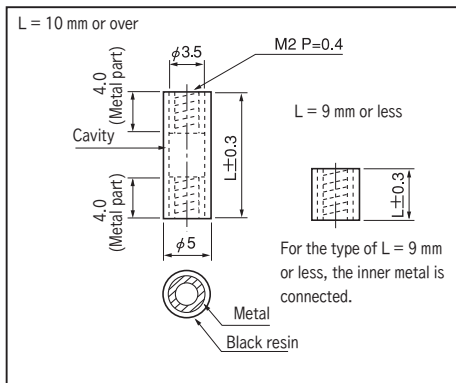
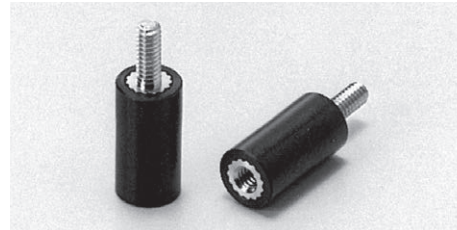


Spacer of metal resin type for printed board

2AP, 2AQ series (100pcs/pack)

- The strength of this spacer is increased by filling metal in the resin.
- For the type of 10mm or over, the upper part and the lower part are electrically insulated.
- For the type of 9mm or less, the upper part and the lower part are electrically connected.
- Material Resin part: PBT black (UL94V-0)
Metal part: Brass
- Finish: Nickel plating
- Operating temperature range: - 40 to + 125°C



■ 2AP type (for M2)

Part No.	L
2AP-3	3
2AP-4	4
2AP-5	5
2AP-6	6
2AP-7	7
2AP-8	8
2AP-9	9
2AP-10	10
2AP-11	11
2AP-12	12
2AP-13	13
2AP-14	14
2AP-15	15
2AP-16	16
2AP-17	17
2AP-18	18
2AP-19	19
2AP-20	20
2AP-25	25
2AP-30	30
2AP-35	35
2AP-40	40
2AP-45	45
2AP-50	50

■ 2AQ type (for M2)

Part No.	L	A
2AQ-3	3	1.5
2AQ-4	4	2.5
2AQ-5	5	3
2AQ-6	6	3
2AQ-7	7	4
2AQ-8	8	5
2AQ-9	9	5

2AQ-10	10
2AQ-11	11
2AQ-12	12
2AQ-13	13
2AQ-14	14
2AQ-15	15
2AQ-16	16
2AQ-17	17
2AQ-18	18
2AQ-19	19
2AQ-20	20
2AQ-25	25
2AQ-30	30
2AQ-35	35
2AQ-40	40
2AQ-45	45
2AQ-50	50