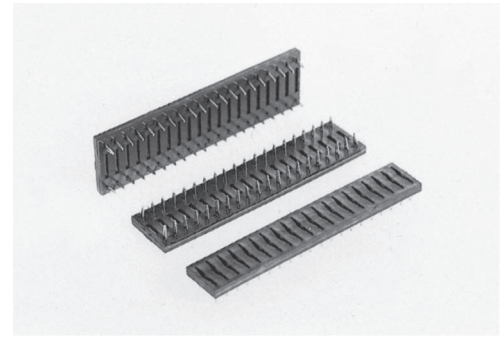


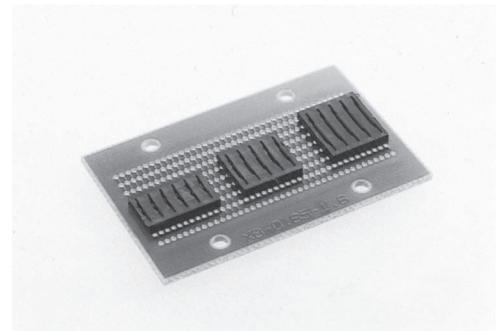
Jyanta connected

XR series (10pcs/pack)

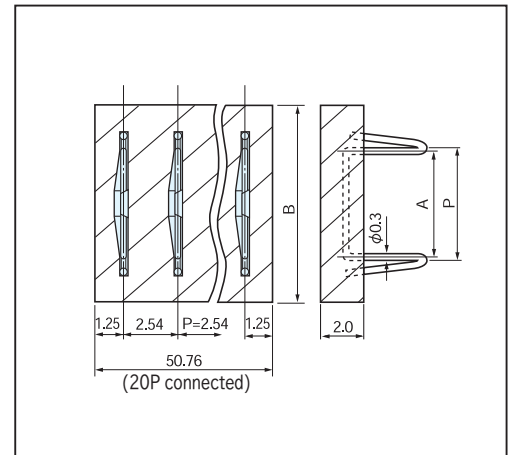
- Maximum 20P conneced with 2.54mm pitch,this product can be used for short circuit.
 - 3types available. Pin width (P) = 5.08mm, 7.62mm, or 10.16mm. (Example: IC part)
 - This allows one-touch switching of signals up to 20 lines.
 - With the height of 2 mm, it can be used in many situations.
 - Material
 - Pin part: Beryllium copper Gold plating over nickel base
 - Resin part: PBT resin (UL94V-0)
 - Rated current: 1A
 - Rated voltage: 125V AC, DC
 - Contact resistance: 50m Ω or less
 - Insulation resistance: 500M Ω or over
 - Withstand voltage: 1000V AC, DC per minute
 - Adaptive printed board: through hole diameter φ 0.8 to φ 0.90 foe the TH finish diameter.
 - Adaptive printed board thickness: t0.8 to t1.6
 - Operating temperature range: - 40 to + 125°C
 - Operating humidity range: 0 to 85%RH (Without dew condensation.)
 - Frequency of use: 50 times or less (for the same through hole)
- Insertion / removal forces (per pin)
- | Through hole | Insertion forces | Removal forces |
|--------------|------------------|----------------|
| φ 0.85 | 600g or less | 100g or over |
| φ 0.9 | 300g or less | 30g or over |



■ Example of usage



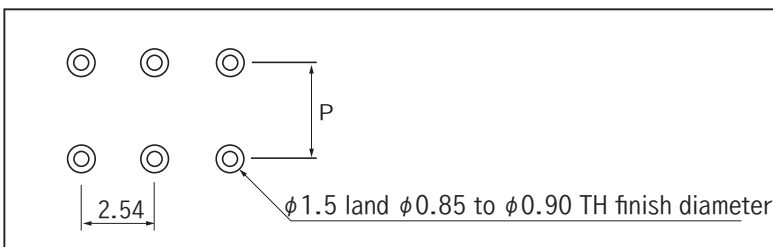
■ Dimension



■ Part No.

Part No.	P	A	B
XR-2	5.08	4.58	9.08
XR-3	7.62	7.12	11.62
XR-4	10.16	9.66	14.16

■ Recommended land information



■ How to order

XR-2-5P

↑ Please specify the number of poles.
(Maximum number: 20 P)

■ Instructions for use

- This product cannot be used in a copper through hole board. (Due to quick oxidization of copper)
- When a large number of pins are connected, significant power is required for removal. Please remove it from one side to the other.