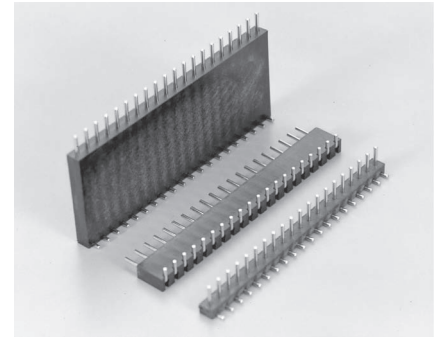


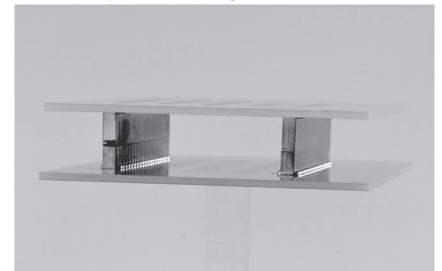
Terminal for two-tiered installation for surface mounting (strong type)

OV series (10pcs/pack)

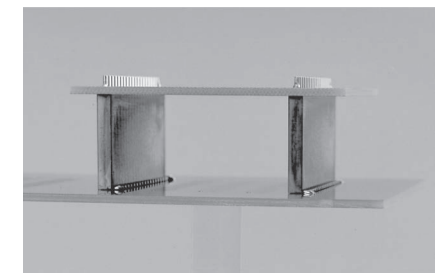
- This is used for fitting a surface mounting board to a surface mounting board by two-tiered installation (insertion / removal type) (the insertion side socket part no: PES-2).
- This can be attached to a board for surface mounting to fit the board and TH board above by two-tiered installation (fixed type).
- Pitch: 2.54 mm
- Material Resin part: PPS black (UL94V-0)
Pin part: Phosphor bronze
- Finish: Gold plating over nickel base
- Rated current: 4A
- Insulation resistance: 500M Ω or over
- Withstand voltage: 1000V AC, DC per minute
- Operating temperature range: - 40 to + 125°C



■ Example of usage



The combination of OV series and PES-2 (insertion / removal type)
[OVS (with positioning pin) is recommended.]

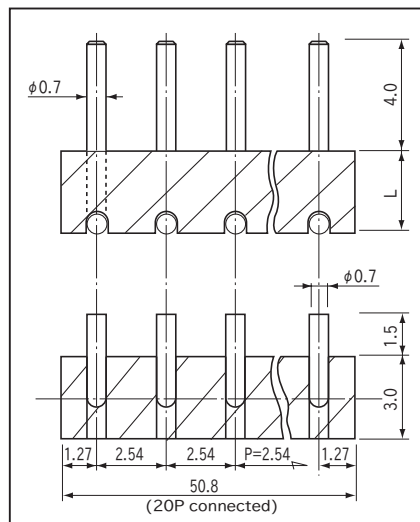


Soldering TH board directly to OV series (fixed type)

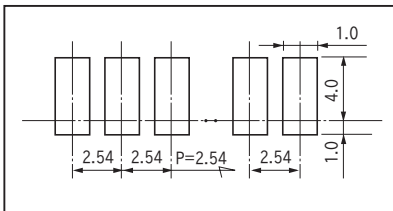
■ Part No.

Part No.	L
OV-2	2
OV-3	3
OV-4	4
OV-5	5
OV-6	6
OV-7	7
OV-8	8
OV-9	9
OV-10	10
OV-15	15
OV-20	20

■ Dimension



■ Recommended land information



■ How to order

OV-2-10P

↑
Please fill in the desired number of poles.
(Maximum no: 20 P)

■ Instructions for mounting

In the case that a warpage occurs on the resin part during reflow because many pins are connected for use, apply an adhesive to several positions.

※ Advice

Please use OVS series with positioning pins for the two-tiered installation with PES-2. (This can reduce misalignment.)