

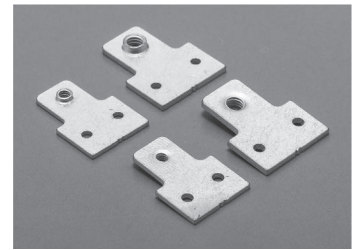
Power Supply terminal for surface mounting (low profile type)

NR series

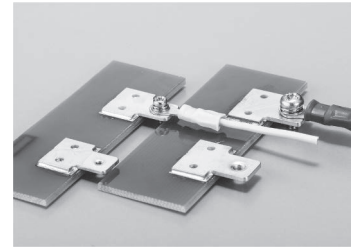
- This is used for supplying power to PC board.
- Please fit a crimping terminal at the edge of electric wire and tighten with a screw.
- Material.....Copper
- Finish.....Tin plating over nickel base

■ **Part No.**

| Part No. | Package | Rated current | Tightening torque |
|----------|--------------------|---------------|-------------------------------|
| NR-2 | Bulk (100pcs/pack) | 20A | 2kgf-cm (19.6N-cm) or less |
| NR-2-T | Reel (350pcs/reel) | | |
| NR-3 | Bulk (100pcs/pack) | 30A | 5kgf-cm (49N-cm) or less |
| NR-3-T | Reel (300pcs/reel) | | |



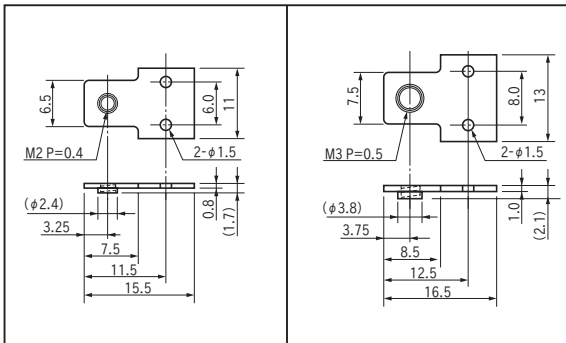
■ **Example of usage**



■ **Recommended metal mask thickness**

150 μm to 200 μm

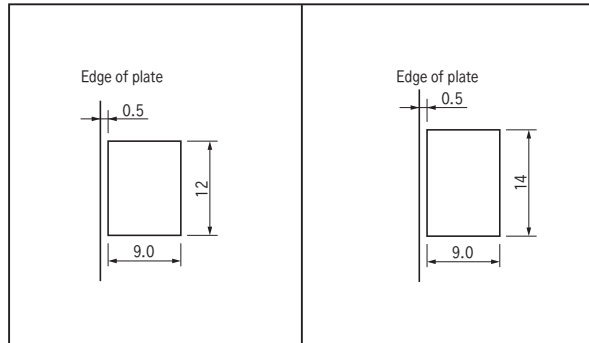
■ **Dimension**



NR-2

NR-3

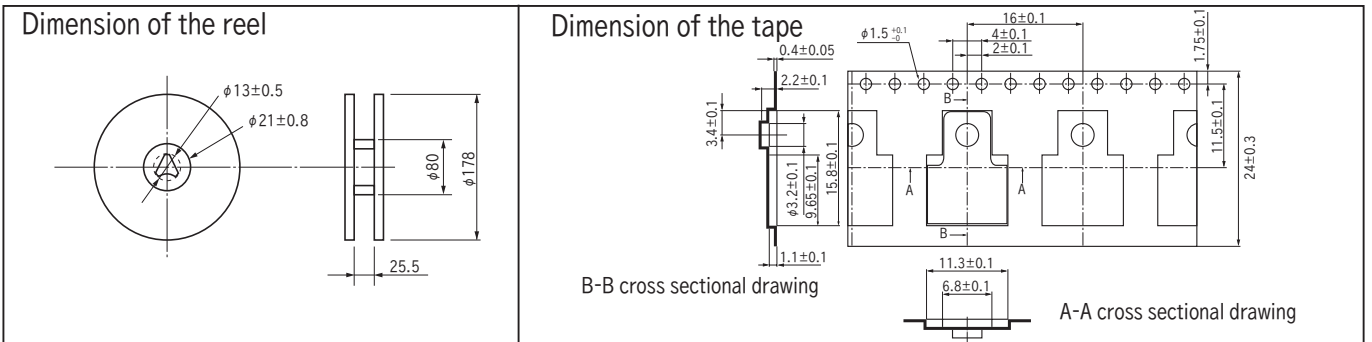
■ **Recommended land information**



NR-2

NR-3

■ **NR-2-T Dimension**



■ **NR-3-T Dimension**

