

Repair terminal for covering mistake in hole diameter

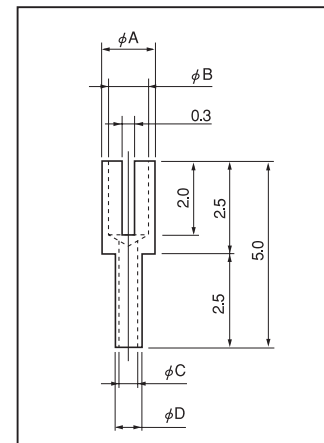
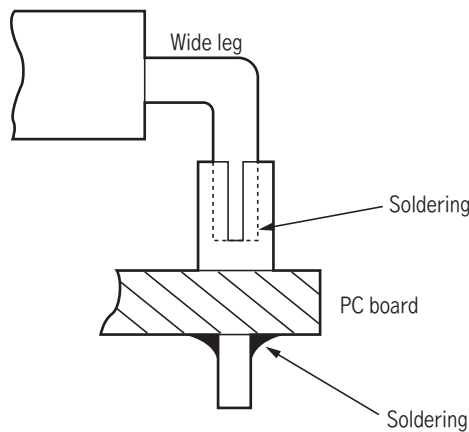
MS series (100pcs/pack)

- This terminal is used for a trouble such as “a PC board hole diameter has been processed to ϕ 0.8 in spite of the intended processing diameter of ϕ 1.0” .
- Please note that the product to fit will be raised from the regular position.
- It is recommended to solder the terminal of connector, etc. before fitting it to a board.
- Material: Brass
- Finish: Gold plating over nickel base

Part No.	A	B	C	D	Printed board hole diameter	Pin diameter of the product
MS-1-1	1.4	1.0	0.4	0.75	0.8	1.0 or less
MS-1-2	1.6	1.2	0.5	0.9	1.0	1.2 or less
MS-1-3	1.8	1.4	0.7	1.1	1.2	1.4 or less



- Example of usage
Put the terminal (MS series) in the PC board and solder.
Next, put the wide leg of the part into the upper part (slit side) and solder.



Terminal for additional part (for no-land hole)

AB series (100pcs/pack)

- When fitting an additional part (resistor, capacitor, etc.) without land, this product is fixed with a screw in a hole which is drilled on a PC board to fit.
- Material: Brass
- Finish: Gold plating over nickel base
- Screw: M 1.0 \times 3, pan head \odot nickel plating
- Printed board fitting hole diameter: ϕ 1.2 to ϕ 1.5

Part No.	L
AB-1-1	5.0
AB-1-2	8.0

* Fitting screw is included.

■ Example of usage

