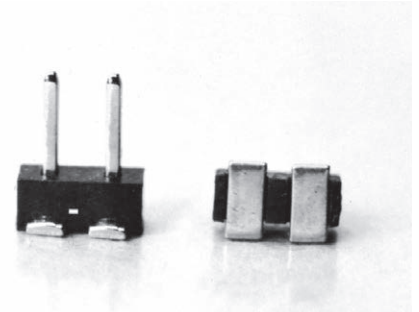


Wrapping terminal for surface mounting

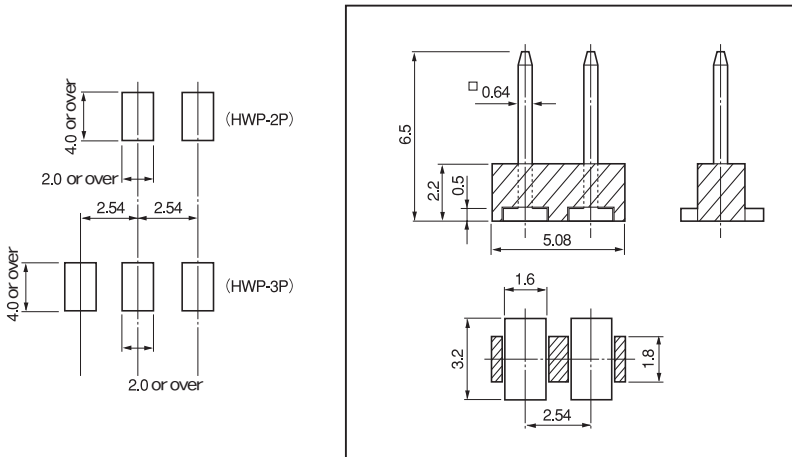
HWP-2P, HWP-3P series

- This wrapping terminal can stand on a surface mounting board.
- 2 pins / 3 pins are connected.
- By inserting / pulling out the jumper socket [JS-1], this terminal can be used as a substitute for a switch.
- Reflow soldering is possible.
- Operating temperature range: - 40 to + 125°C
- Material
 - Pin part: Brass
 - Resin part: PPS black (UL94V-0)
- Rated current: 3A
- Insulation resistance: 500M Ω or over
- Withstand voltage: 1000V AC, DC per minute

HWP-2P

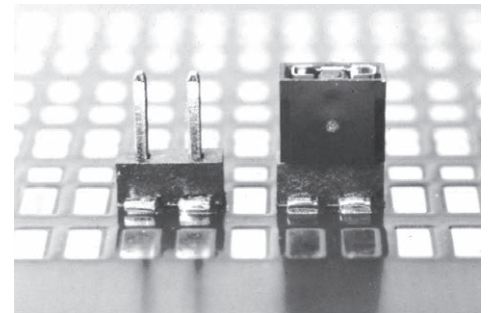


● Recommended land information

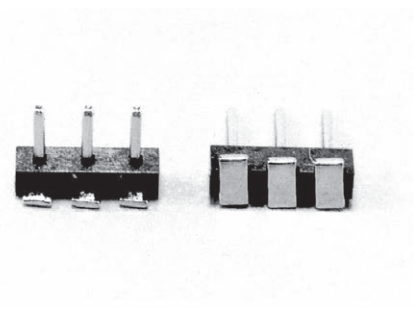


■ Example of usage

- When JS-1 is used

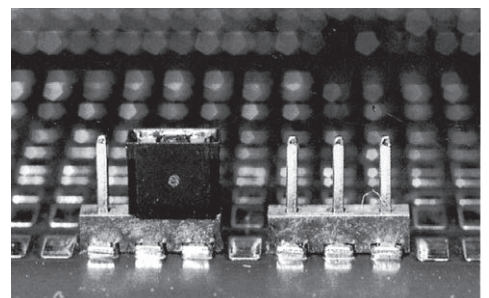


HWP-3P

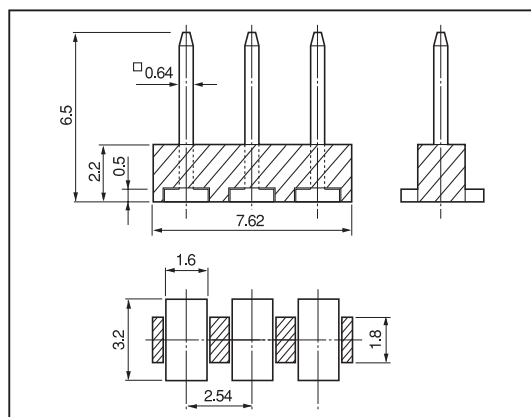


■ Example of usage

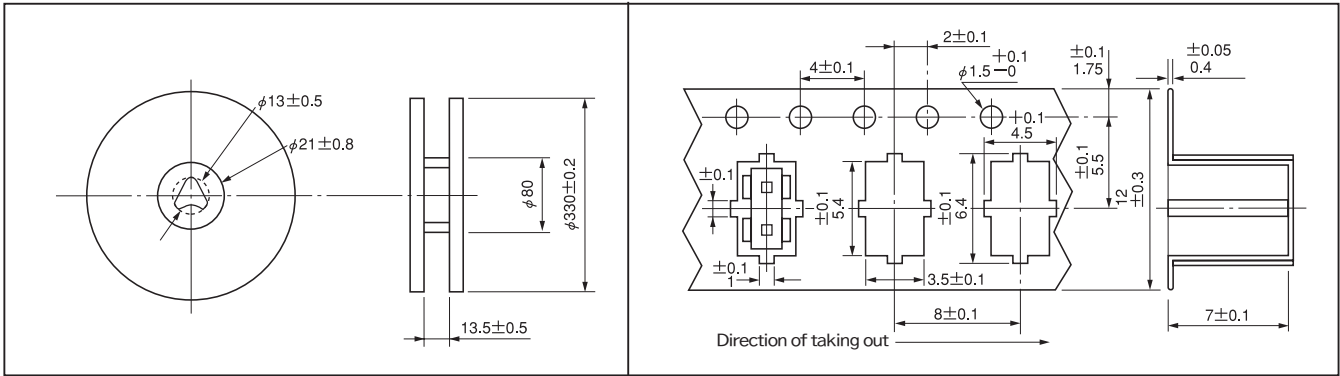
- When JS-1 is used



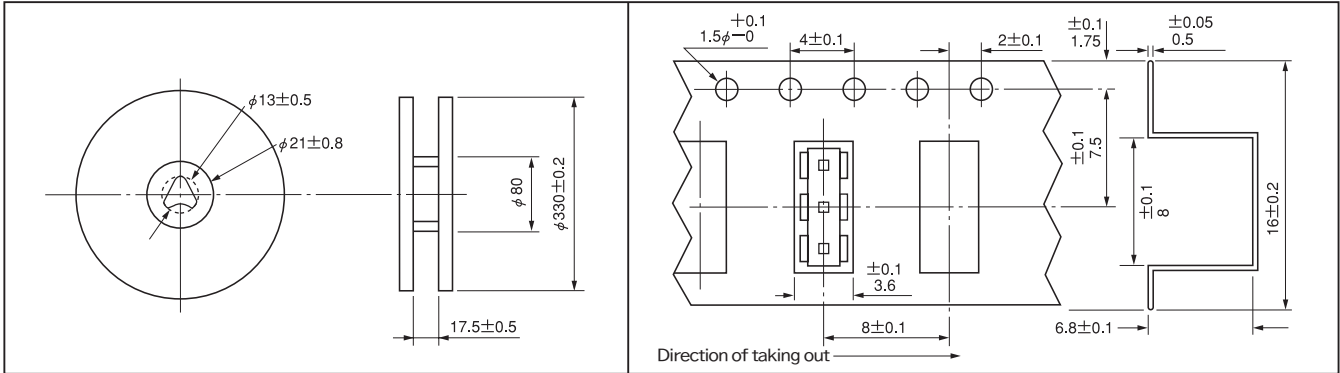
Part No.	Finish	Package	Packing quantity
HWP-2P-G	Gold plating over nickel base	Bulk	100 pcs
HWP-2P-G-M	Gold plating over nickel base	Magazine	100 pcs
HWP-2P-G-T	Gold plating over nickel base	Reel	1200 pcs
HWP-2P-S	Tin plating over nickel base	Bulk	100 pcs
HWP-2P-S-M	Tin plating over nickel base	Magazine	100 pcs
HWP-2P-S-T	Tin plating over nickel base	Reel	1200 pcs
HWP-3P-G	Gold plating over nickel base	Bulk	100 pcs
HWP-3P-G-M	Gold plating over nickel base	Magazine	70 pcs
HWP-3P-G-T	Gold plating over nickel base	Reel	1200 pcs
HWP-3P-S	Tin plating over nickel base	Bulk	100 pcs
HWP-3P-S-M	Tin plating over nickel base	Magazine	70 pcs
HWP-3P-S-T	Tin plating over nickel base	Reel	1200 pcs



■ Dimension of HWP-2P-□-T



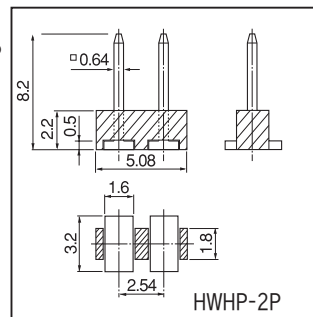
■ Dimension of HWP-3P-□-T



Wrapping terminal for surface mounting

HWHP-2P, HWHP-3P series

- This is a longer-pin version of HWP-2P, HWP-3P series.
- The specification is the same as that of HWP-2P, HWP-3P series.



■ Part No.

Part No.	Finish	Package	Packing quantity
HWHP-2P-G	Gold plating over nickel base	Bulk	100 pcs/pack
HWHP-2P-G-T	Gold plating over nickel base	Reel	600 pcs/pack
HWHP-2P-SN	Tin plating over nickel base	Bulk	100 pcs/pack
HWHP-2P-SN-T	Tin plating over nickel base	Reel	600 pcs/pack
HWHP-3P-G	Gold plating over nickel base	Bulk	100 pcs/pack
HWHP-3P-G-T	Gold plating over nickel base	Reel	600 pcs/pack
HWHP-3P-SN	Tin plating over nickel base	Bulk	100 pcs/pack
HWHP-3P-SN-T	Tin plating over nickel base	Reel	600 pcs/pack

