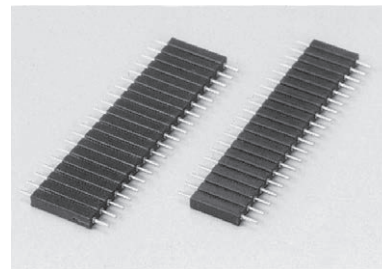


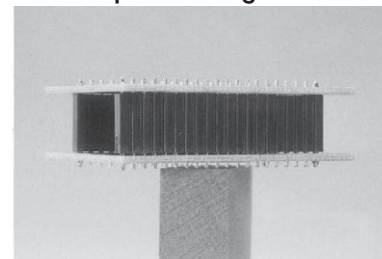
For two-tiered installation (fixed type, connected type) (Pitch: 2.54 mm)

ML series (10pcs/pack)

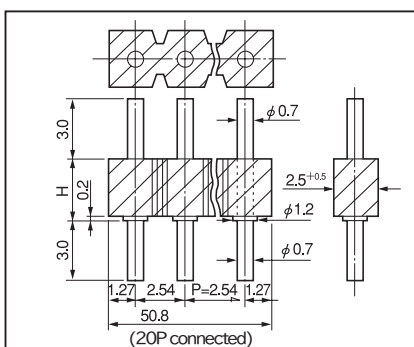
- This is used for mounting PC boards by two-tiered installation.
- This is soldered and fixed on the both sides.
- The pitch is 2.54 mm and the maximum number of connection is 20P.
- Material Resin part: PBT black (UL94V-0)
Pin part: Brass
- Finish: Gold plating over nickel base
- Rated current: 4A
- Insulation resistance: 500M Ω or over
- Withstand voltage: 1000V AC, DC per minute
- Operating temperature range: - 40 to + 125°C
- Printed board fitting hole diameter: φ 0.9



■ Example of usage



■ Dimension



■ Part No.

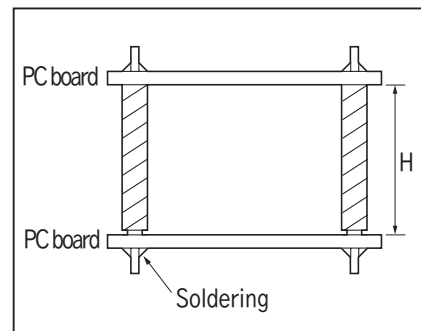
Part No.	H
ML-1.2	1.2
ML-2	2
ML-3	3
ML-4	4
ML-5	5
ML-6	6
ML-7	7
ML-8	8
ML-9	9
ML-10	10
ML-12.5	12.5
ML-15	15
ML-17.5	17.5
ML-20	20
ML-25	25
ML-30	30

■ How to order:

ML-10-15P

↑ Please fill in the number of poles.
(Maximum number: 20P)

(If the number is not specified, we will deliver the part of the maximum number of connection.)



Angle type (fixed type) (Pitch: 2.54mm)

Part No.: MLZ-001 (10pcs/pack)

- This is used for mounting the printing boards at right angle.
- The both sides are soldered and fixed.
- The pitch is 2.54mm and the maximum number of connection is 20P.
- Material Resin part: PBT black (UL94V-0)
Pin part: Phosphor bronze
- Finish: Gold plating over nickel base
- The electrical specification is the same as that of ML series described above.
- Printed board fitting hole diameter: φ 0.9

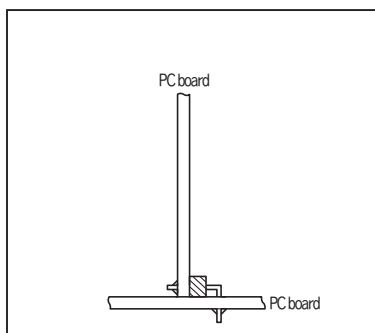
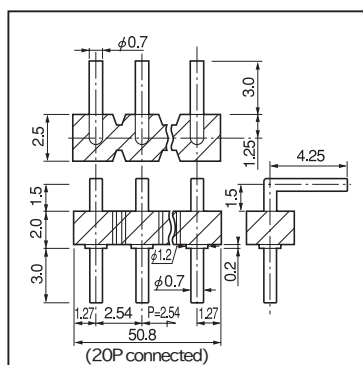
■ Part No.: MLZ-001

■ How to order

MLZ-001-10P

↑ Please fill in the number of poles.
(Maximum number: 20P)

(If the number is not specified, we will deliver the part of the maximum number of connection.)



■ Example of usage

