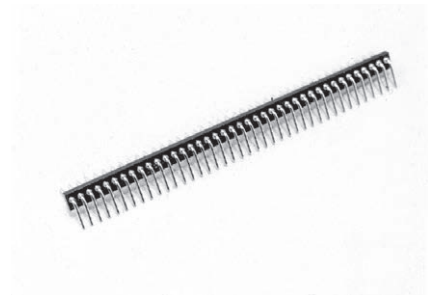


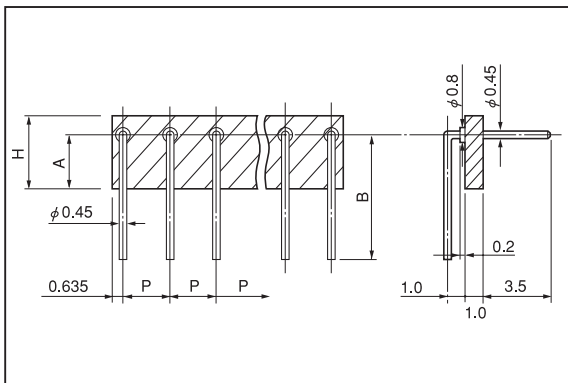
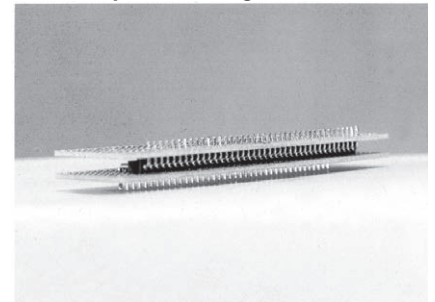
Terminal for parallel two-tiered installation of super-small boards (Pitch: 1.27mm, 2.54mm)

MA series (10pcs/pack)

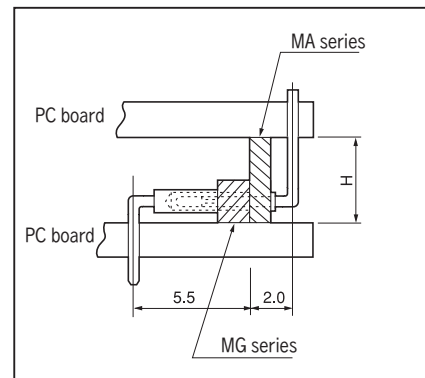
- This is used for mounting super-small boards in parallel by two-tiered installation.
- By combining with MG series, insertion/removal in the parallel direction is possible.
- Two types, of pitch (1.27mm and 2.54mm) are available.
- Material
 Resin part: PCT resin black (UL94V-0),
 Pin part: Phosphor bronze, Finish: Gold plating over nickel base
- Rated current: 2A
- Insulation resistance: 500M Ω or over
- Withstand voltage: 1000V AC, DC per minute (MA-3 series)
 700V AC, DC per minute (MA-1 series)
- Operating temperature range: - 40 to + 125°C
- Printed board fitting hole diameter: φ 0.6
- Adaptive socket: MG-1-1, MG-3-1, MG-10-1, MG-30-1



■ Example of usage



Part No.	A	B	H	P	Number of pins connected
MA-1-1	1.0	3.2	2.0	1.27	40
MA-1-2	1.5	3.7	2.5	1.27	40
MA-1-3	2.0	4.2	3.0	1.27	40
MA-1-4	2.5	4.7	3.5	1.27	40
MA-1-5	3.0	5.2	4.0	1.27	40
MA-3-1	1.0	3.2	2.0	2.54	20
MA-3-2	1.5	3.7	2.5	2.54	20
MA-3-3	2.0	4.2	3.0	2.54	20
MA-3-4	2.5	4.7	3.5	2.54	20
MA-3-5	3.0	5.2	4.0	2.54	20



■ How to order:

MA-1-1-10P

↑
 Please fill in the number of poles.
 (If the number is not specified, we will deliver the part of the maximum number of connection.)