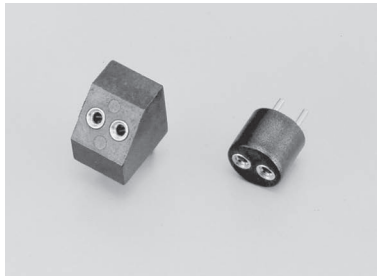


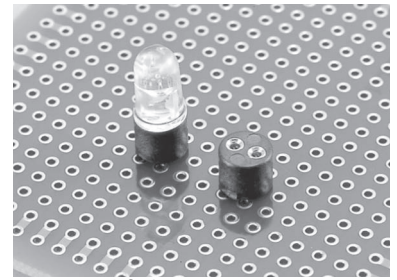
**LED socket**

**LQ-1, LQ-45, LQ-90 (10pcs/pack)**

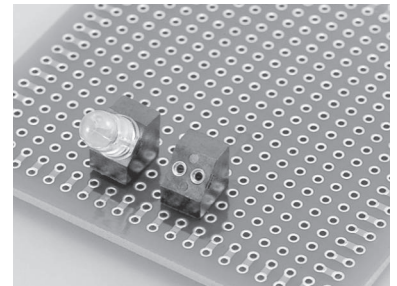
- This socket is for insertion an LED of  $\phi$  3 or  $\phi$  5.
- LQ-45 is tilted at 45 degrees.
- LQ-90 is tilted at 90 degrees.
- Material
  - Resin part: PPS black (UL94V-0)
  - Socket part Body: Brass
  - Contact: Beryllium copper
  - Finish: Gold plating over nickel base
- Rated current: 3A (LQ-1, LQ-45, LQ-90)  
1A (LQ-1-0.5, LQ-45-0.5, LQ-90-0.5)
- Contact resistance: 10 m  $\Omega$  or less
- Insulation resistance: 500 M  $\Omega$  or over
- Withstand voltage: 1000V AC, DC per minute
- Insertion / removal durability : 100 cycles
- Insertion / removal forces: 140g or over
- Reflow: Can be used
- Operating temperature range: - 40 to + 125  $^{\circ}$ C
- Printed board fitting hole diameter:  $\phi$  0.8



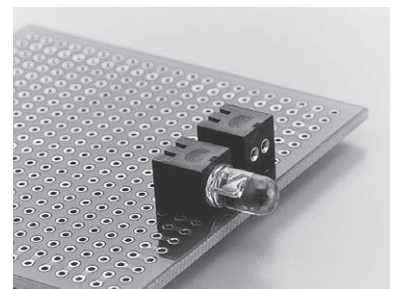
**Example of usage**



LQ-1  
LQ-1-0.5



LQ-45  
LQ-45-0.5

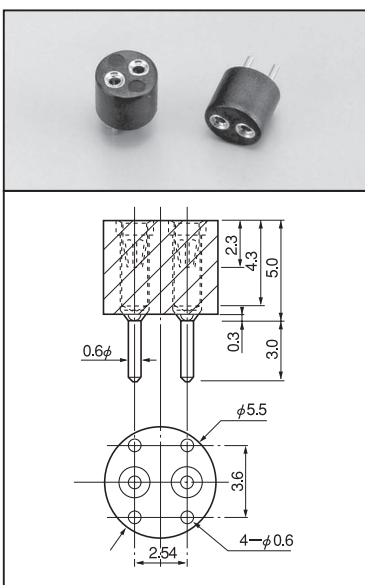


LQ-90  
LQ-90-0.5

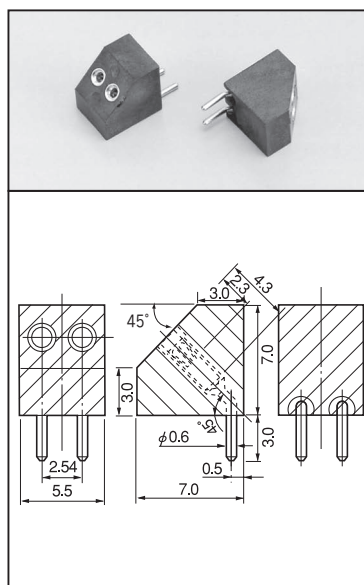
**Part No. (10pcs/pack)**

Part No.	Adaptive male pin diameters
LQ-1	$\square$ 0.5, $\square$ 0.64, $\phi$ 0.6 to $\phi$ 0.8
LQ-1-0.5	$\phi$ 0.45 to $\phi$ 0.6
LQ-45	$\square$ 0.5, $\square$ 0.64, $\phi$ 0.6 to $\phi$ 0.8
LQ-45-0.5	$\phi$ 0.45 to $\phi$ 0.6
LQ-90	$\square$ 0.5, $\square$ 0.64, $\phi$ 0.6 to $\phi$ 0.8
LQ-90-0.5	$\phi$ 0.45 to $\phi$ 0.6

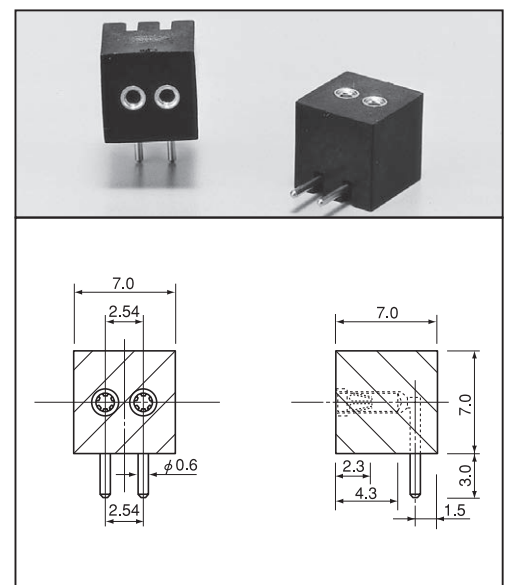
**Dimension**



Part No.:  
LQ-1  
LQ-1-0.5



Part No.:  
LQ-45  
LQ-45-0.5



Part No.:  
LQ-90  
LQ-90-0.5