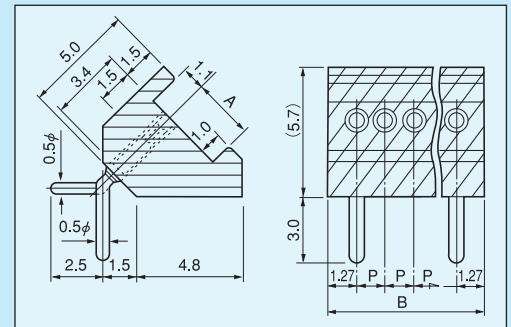
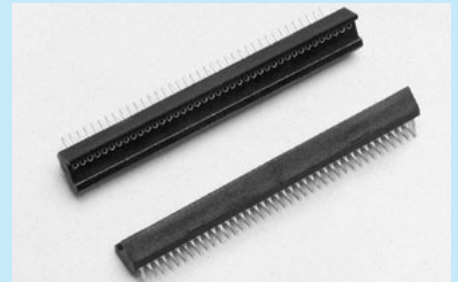
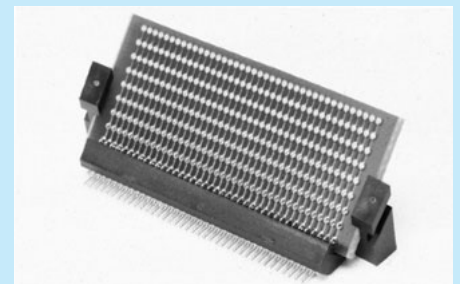
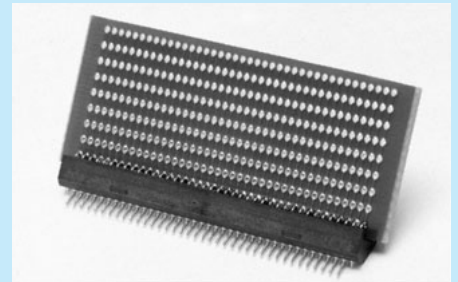


SMT tilted socket [AS series] (10pcs/pack)

- A slave board can be fit at 45 degrees.
- As it is possible to set a lower height than the one which is fit at right angle, the space can be saved and the PC board can be easily inspected.
- By attaching a display element, it becomes more visible.
- Material
 - Resin part: PCT black (UL94V-0)
 - Socket part: Body: Brass
 - Contact: Beryllium copper
- Finish
 - Socket part: Body: Tin plating over nickel base
 - Contact: Gold plating over nickel base
- Rated current: 1A
- Insulation resistance: 500MΩ or over
- Withstand voltage: AS-1 series: 500V AC, DC per minute
AS-3 series: 1000V AC, DC per minute
- Contact resistance: 10mΩ or less
- Insertion / removal forces: 30g or over
- Insertion / removal frequency: 100 times or over
- Operating temperature range: -40 to +125°C
- Adaptive male pin diameter: φ 0.35 to φ 0.47



Example of usage



When a guide is used

Part number	A	B	P	Adaptive PC board thickness for a slave board	Adaptive male pin for a slave board	Maximum number of pins connected
AS-1-0.6	1.8	52.07	1.27	0.6	MA-1-0	40P
AS-1-0.8	2.0	52.07	1.27	0.8	MA-1-0	40
AS-1-1.0	2.2	52.07	1.27	1.0	MA-1-0	40
AS-1-1.2	2.4	52.07	1.27	1.2	MA-1-0	40
AS-1-1.6	2.8	52.07	1.27	1.6	MA-1-0	40
AS-3-0.6	1.8	50.8	2.54	0.6	MA-3-0	20
AS-3-0.8	2.0	50.8	2.54	0.8	MA-3-0	20
AS-3-1.0	2.2	50.8	2.54	1.0	MA-3-0	20
AS-3-1.2	2.4	50.8	2.54	1.2	MA-3-0	20
AS-3-1.6	2.8	50.8	2.54	1.6	MA-3-0	20

(MA series)

How to order

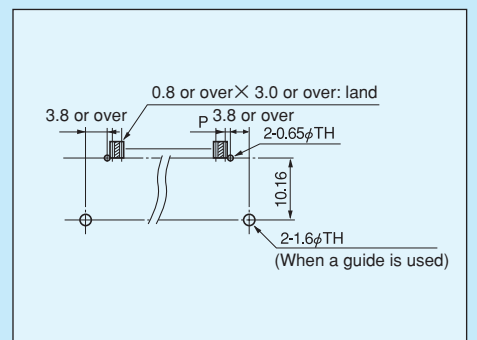
AS-1-0.6-10P

↑ Please fill in the desired number of poles.
(Please fill in the number of poles including the positioning pins.)
(8 pins are for surface mounting socket and 2 pins are for positioning socket.)

Instructions for mounting

In the case that a warpage occurs on the resin part during reflow because many pins are connected for use, apply an adhesive to several places.

Recommended land diameter



For surface mounting