
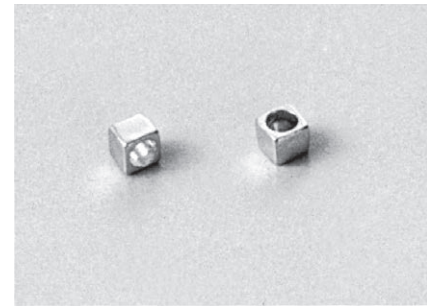


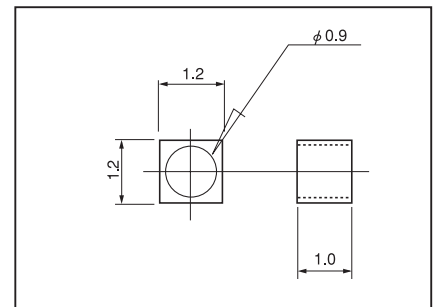
Test point for surface mounting (1.2 × 1.0 type)

HK-4 series

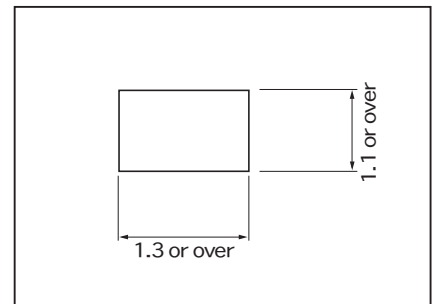
- This test point is for chip mounter use.
- With the size of 1.2 × 1.0, this is suitable for small devices.
- Please hook the oscilloscope probe in the inside hole and use.
- In the case of reflow with normal cream solder, the strength will be increased by using the land with a simple shape () and the size of 1.3 × 1.1 or over.
- Material: Brass
- Finish HK-4-G: Gold plating over nickel base
HK-4-S: Tin plating over nickel base



| Part No. | Package |
|----------|---------------------|
| HK-4-G-T | Reel (3000pcs/reel) |
| HK-4-G | Bulk (1000pcs/pack) |
| HK-4-S-T | Reel (3000pcs/reel) |
| HK-4-S | Bulk (1000pcs/pack) |



■ Recommended land information



HK-4- □ -T (tape-and-reel)

