

Laser diode socket

LQ-2 series (10pcs/pack)

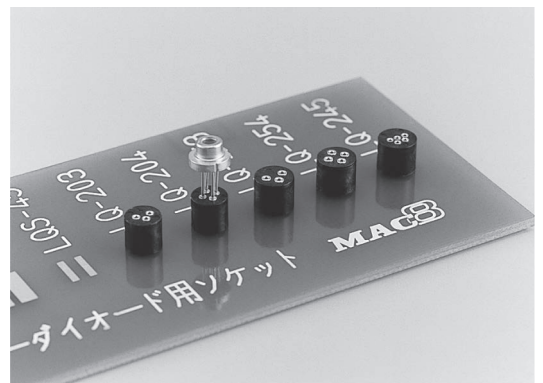
- This is used as the socket for laser diode, etc.
- Material
 - Resin part: PPS black (UL94V-0)
 - Socket part Body: Brass
 - Contact: Beryllium copper
 - Finish: Gold plating over nickel base
- Rated current: 1A
- Contact resistance: 10 mΩ or less
- Insulation resistance: 500 MΩ or over
- Withstand voltage: 500V AC, DC per minute
- Insertion / removal durability : 100 cycles
- Insertion / removal forces: 30g or over (per pin)
- Reflow: Can be done.
- Operating temperature range: - 40 to + 125 °C



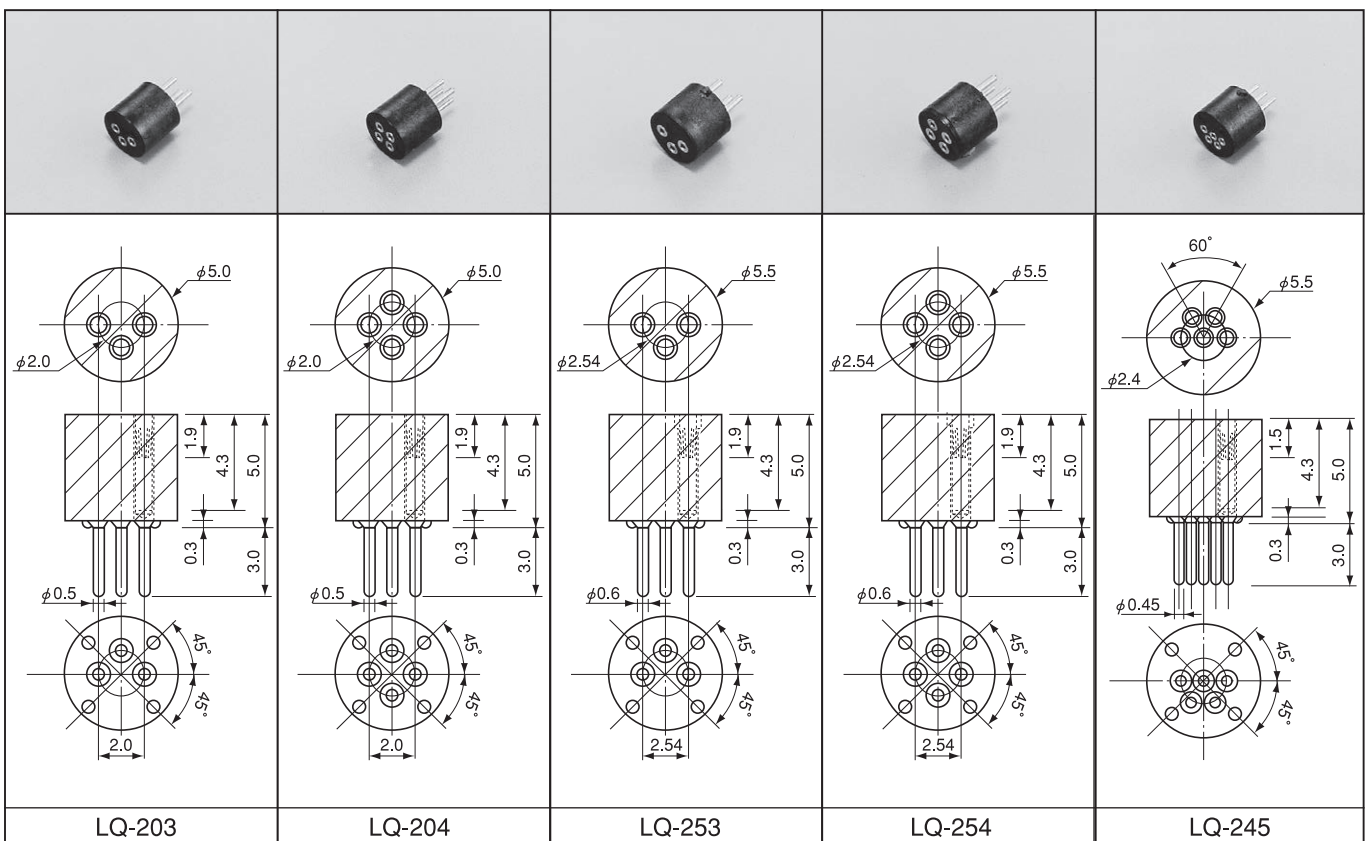
■ Part No.

| Part No. | Adaptive male pin diameterr | PC board fitting hole diameterr |
|----------|-----------------------------|---------------------------------|
| LQ-203 | φ 0.4 to φ 0.5 | φ 0.6 to φ 0.7 |
| LQ-204 | φ 0.4 to φ 0.5 | φ 0.6 to φ 0.7 |
| LQ-253 | φ 0.4 to φ 0.5 | φ 0.7 to φ 0.8 |
| LQ-254 | φ 0.4 to φ 0.5 | φ 0.7 to φ 0.8 |
| LQ-245 | φ 0.25 to φ 0.40 | φ 0.6 |
| LQ-255 | φ 0.25 to φ 0.35 | φ 0.6 |
| LQ-2555 | φ 0.4 to φ 0.5 | φ 0.7 to φ 0.8 |
| LQ-2037 | φ 0.4 to φ 0.5 | φ 0.6 to φ 0.7 |

■ Example of usage



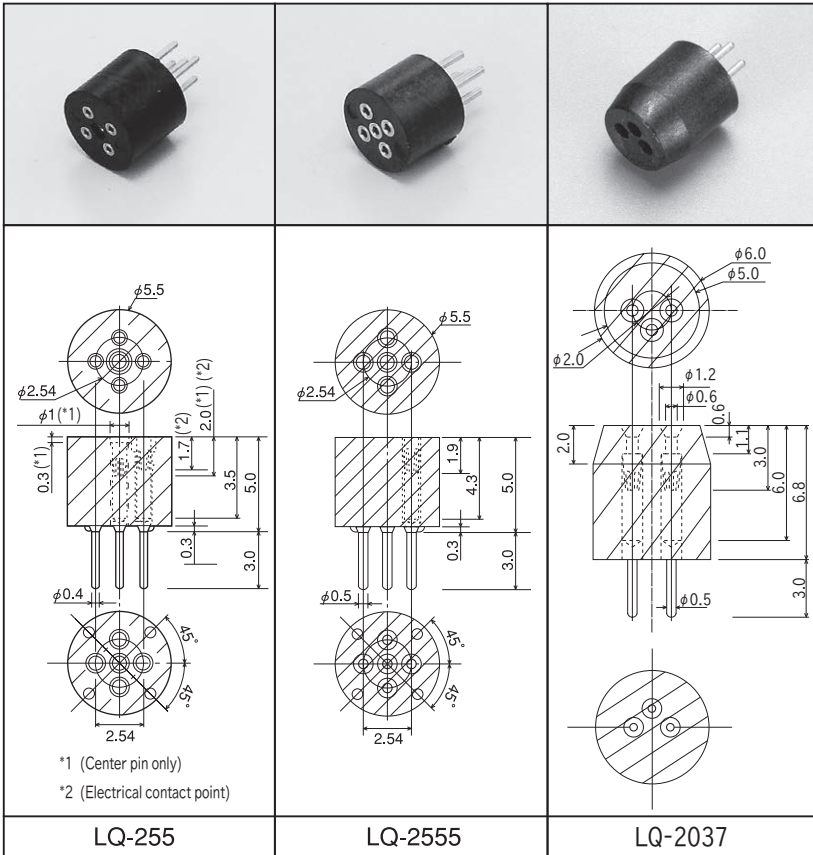
■ Dimension



Laser diode socket

LQ-2 series (10pcs/pack)

■ Dimension



● MOQ is 1 piece (customized product). Please contact us.