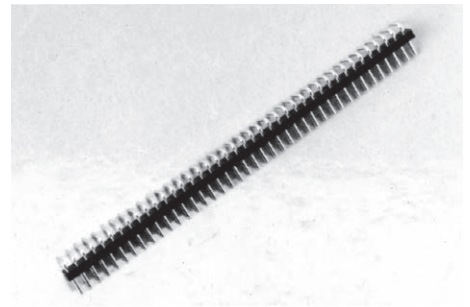


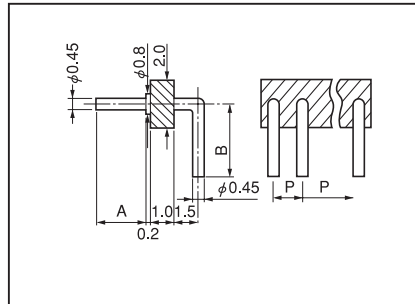
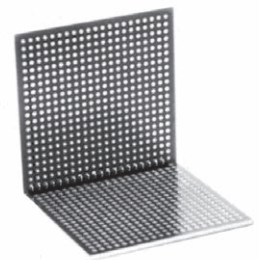
Super-small angle type (Pitch: 1.27mm, 1.778mm, 2.54mm)

MZ series (10pcs/pack)

- This is used for fitting a display at right angle.
- Three types with a pitch of 1.27mm, 1.778mm, and 2.54mm, are available.
- Material
 - Resin part: PCT resin black (UL94V-0),
 - Pin part: Phosphor bronze, Finish: Gold plating over nickel base
- Rated current: 2A
- Insulation resistance: 500M Ω or over
- Withstand voltage: 1000V AC, DC per minute
700V AC, DC per minute (MZ-1-□ only)
- Operating temperature range: - 40 to + 125°C
- Printed board fitting hole diameter: φ 0.6



■ Example of usage



Part No.	P	A	B	Number of pins connected
MZ-1-1	1.27	2.2	3.2	40
MZ-1-2	1.27	3.0	4.0	40
MZ-2-1	1.778	2.2	3.2	30
MZ-2-2	1.778	3.0	4.0	30
MZ-3-1	2.54	2.2	3.2	20
MZ-3-2	2.54	3.0	4.0	20

■ How to order: MZ-1-1-10P

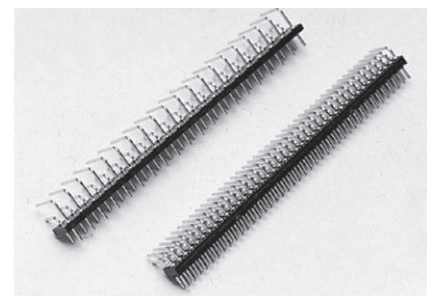
↑ Please fill in the number of poles.

(If the number is not specified, we will deliver the part of the maximum number of connection.)

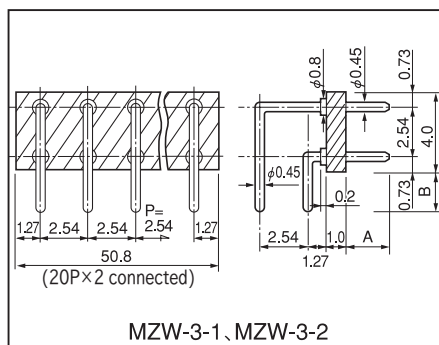
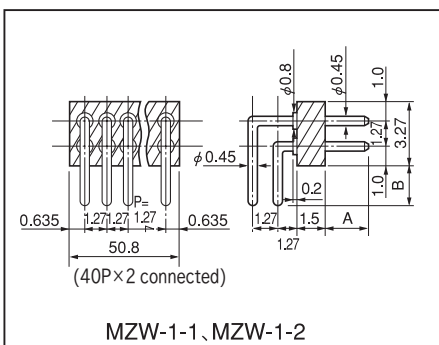
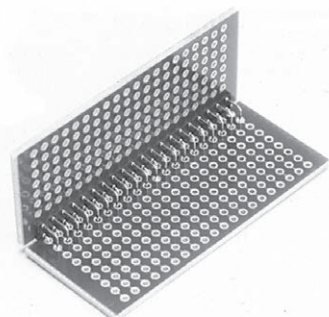
Super-small angle type (two-row type)

MZW series (10pcs/pack)

- This is used for putting PC boards at right angle.
- Pitch: 1.27mm and 2.54mm
- The specification is the same as that of MZ series described above.



■ Example of usage



Part No.	A	B
MZW-1-1	2.2	2.2
MZW-1-2	3.0	3.0

Part No.	A	B
MZW-3-1	2.2	2.2
MZW-3-2	3.5	3.5

■ How to order:

MZW-1-1-10PW

↑ Please fill in the number of poles on one side.
 MZW-1-1: Max. 40 PW MZW-3-1: Max. 20PW
 (If the number is not specified, we will deliver by the maximum number of pins connected.)