

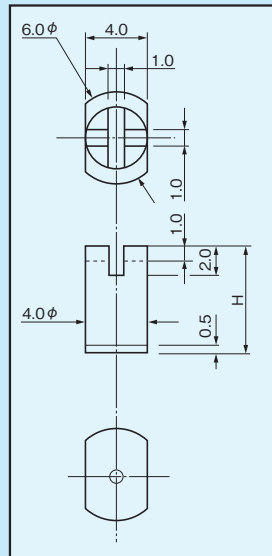
Terminal for bidirectional adjustment part for surface mounting [ATSS series]

- This is used for fitting a lead type part to a surface mounting board .
- Please solder the part by placing the lead on the upper groove.
- This is recommended when it is difficult to align the mounting direction with [ATS series].
- Material: Brass

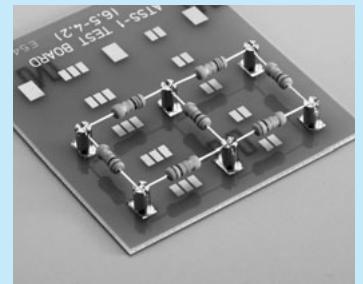
Part number

Part number	H	Finish	Package
ATSS-1-5-G	5	Gold plating over nickel base	Bulk (100pcs/pack)
ATSS-1-5-G-T	5	Gold plating over nickel base	Reel (300pcs/reel)
ATSS-1-5-S	5	Tin plating over nickel base	Bulk (100pcs/pack)
ATSS-1-5-S-T	5	Tin plating over nickel base	Reel (300pcs/reel)
ATSS-1-7-G	7	Gold plating over nickel base	Bulk (100pcs/pack)
ATSS-1-7-G-T	7	Gold plating over nickel base	Reel (200pcs/reel)
ATSS-1-7-S	7	Tin plating over nickel base	Bulk (100pcs/pack)
ATSS-1-7-S-T	7	Tin plating over nickel base	Reel (200pcs/reel)
ATSS-1-10-G	10	Gold plating over nickel base	Bulk (100pcs/pack)
ATSS-1-10-G-T	10	Gold plating over nickel base	Reel (250pcs/reel)
ATSS-1-10-S	10	Tin plating over nickel base	Bulk (100pcs/pack)
ATSS-1-10-S-T	10	Tin plating over nickel base	Reel (250pcs/reel)
ATSS-1-14-G	14	Gold plating over nickel base	Bulk (100pcs/pack)
ATSS-1-14-G-T	14	Gold plating over nickel base	Reel (200pcs/reel)
ATSS-1-14-S	14	Tin plating over nickel base	Bulk (100pcs/pack)
ATSS-1-14-S-T	14	Tin plating over nickel base	Reel (200pcs/reel)

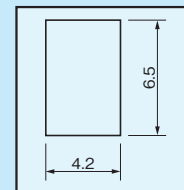
Dimension



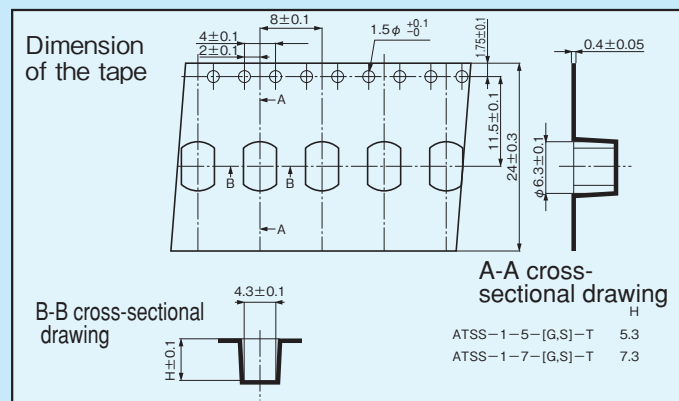
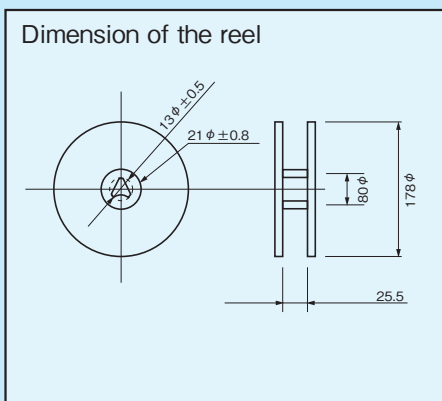
Example of usage



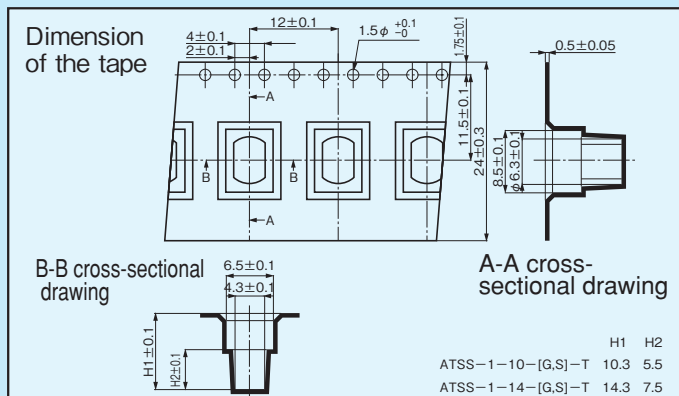
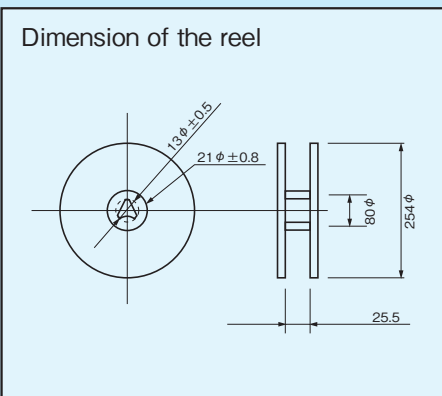
Recommended land diameter



● ATSS-1-5- [G, S]-T, ATSS-1-7- [G, S]-T



● ATSS-1-10- [G, S]-T, ATSS-1-14- [G, S]-T



For surface mounting