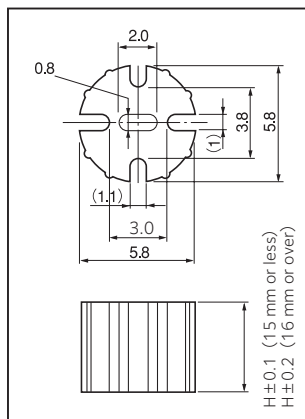


LED spacer

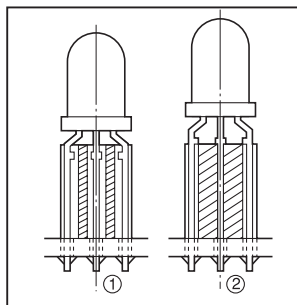
**LN series** (100pcs/pack)

- This LED spacer can be used for a dual-color emission LED.
- Material: Thermoplastic elastomer (UL94V-0)
- Color: BLACK
- Operating temperature range: - 40 to + 125°C

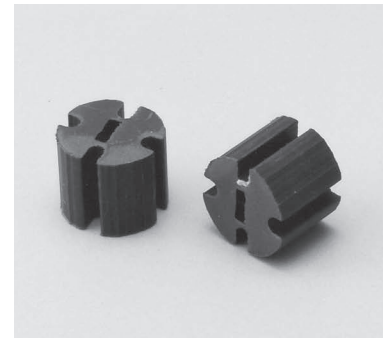
Part No.	H
LN-1	1
LN-1.5	1.5
LN-2	2
LN-2.5	2.5
LN-3	3
LN-3.5	3.5
LN-4	4
LN-4.5	4.5
LN-5	5
LN-5.5	5.5
LN-6	6
LN-6.5	6.5
LN-7	7
LN-7.5	7.5
LN-8	8
LN-8.5	8.5
LN-9	9
LN-9.5	9.5
LN-10	10
LN-11	11
LN-12	12
LN-13	13
LN-14	14
LN-15	15
LN-16	16
LN-17	17
LN-18	18
LN-19	19
LN-20	20



■ Example of fitting



- ① When a stopper is not used
- ② When a stopper is used



■ Example of usage

