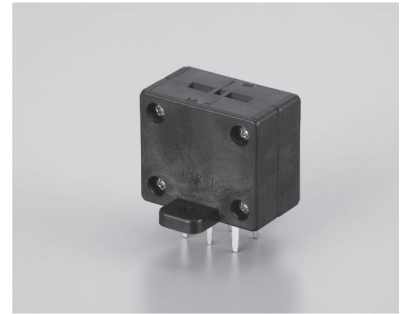


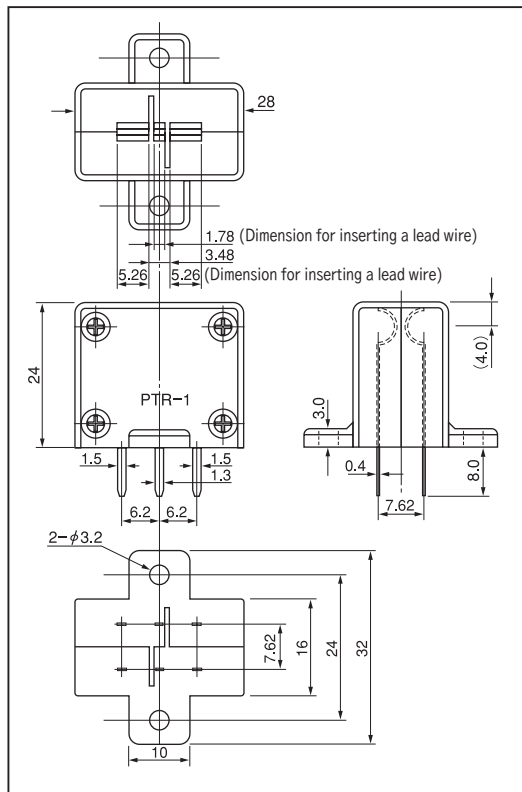
Test socket for power transistor

Part No.: **PTR-1** (1pc/pack)

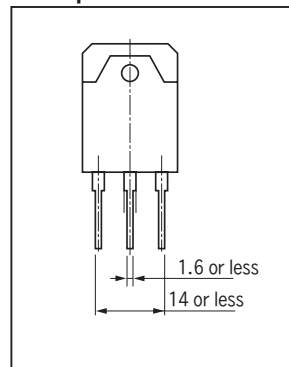
- This is a socket for power transistor testing.
- This is used for testing of transistor, etc.
- Material Resin part: PPS black (UL94V-0)
Metal part: Beryllium copper
- Finish: Gold plating over nickel base
- Contact resistance: 20m Ω or less
- Durability: 40000 times or less
- Rated current: 20A (duty 1%, 1ms ON, 99ms OFF)
- Insulation resistance: 500M Ω or over
- Withstand voltage: 5000V DC per minute
3600V AC per minute
- Operating temperature range: 0°C to 100°C



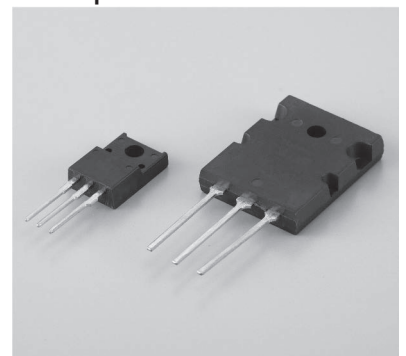
■ Example of usage



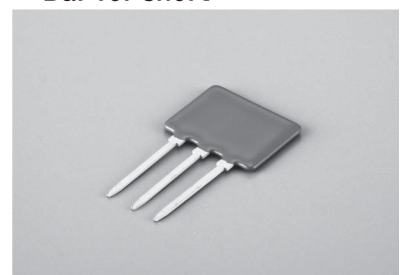
■ Adaptive transistor



■ Adaptive transistor



■ Bar for short

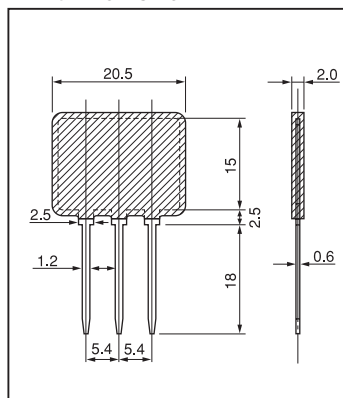


Bar for short

Part No.: **PTR-1-SB** (1pc/pack)

- By inserting in PTR-1, all circuits can be short-circuited.
- Material Body: Epoxy resin blue (UL94V-0)
Metal part: Copper
- Finish: Tin plating over nickel base

■ Bar for short



■ Example of usage

