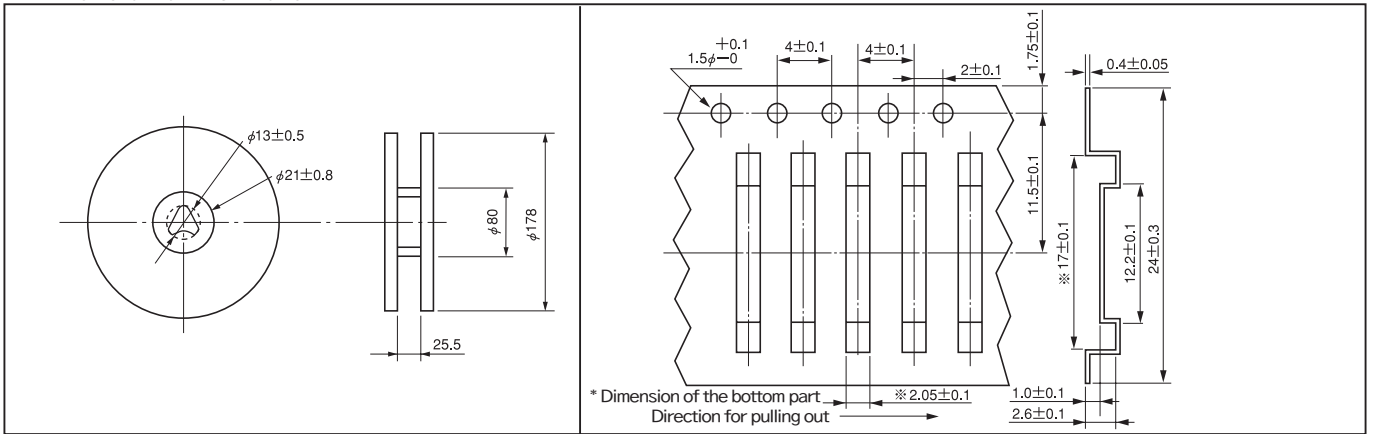
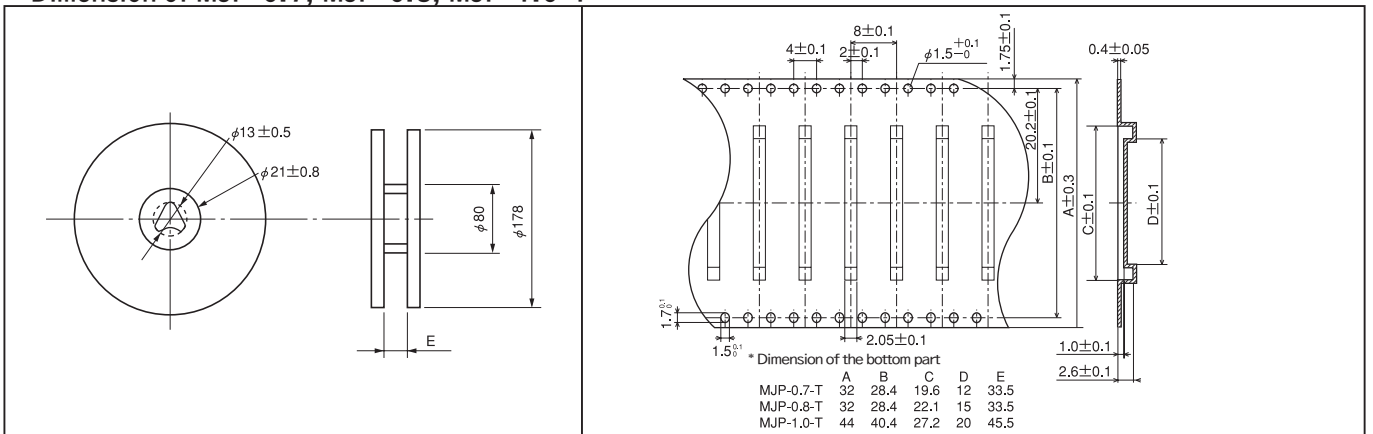


■ Dimension of MJP-0.6-T



■ Dimension of MJP-0.7, MJP-0.8, MJP-1.0-T

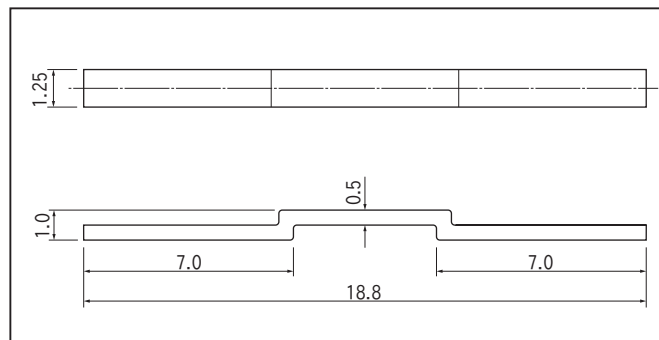
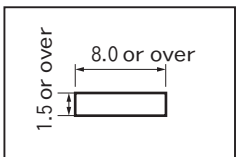


Jumper wire for surface mounting (manual soldering type)

Part No.: **MJH-18** (1000pcs/pack)

- This can connect surface mounting boards in the horizontal direction by manual soldering.
- Material: Phosphor bronze
- Finish: Tin plating over nickel base
- Rated current: 7A

■ Recommended land information



■ Example of usage

