

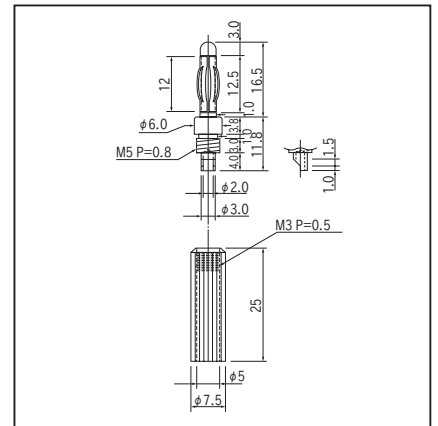
Soft plug

BJ-4 series (10pcs/pack)

- This plug is used for taking out power supply and signal.
Please use BQ-4 series, BF-4, or BM-4 on the insertion side.
Seven colors, black, BLACK, RED, YELLOW, GREEN, BLUE, GRAY and WHITE, are available.
- Material
Metal part Body: Brass
Spring part: Beryllium copper
Resin part: PPE (UL94V-1)
(Color: BLACK, RED, YELLOW, GREEN, BLUE, GRAY, WHITE)
- Finish
BJ-4-G: Gold plating over nickel base
BJ-4-N: Nickel plating
- Rated current: 15A
- Contact resistance: 10m Ω or less (Insertion side: BQ-4, BF-4, BM-4 series)
- Insulation resistance: 500M Ω or over
- Withstand voltage: 1000V AC, DC per minute
- Adaptive Jack: BQ-4, BF-4, BM-4 series
- Operating temperature range: - 40 to + 125°C
- Please solder the electric wire.



■ Dimension



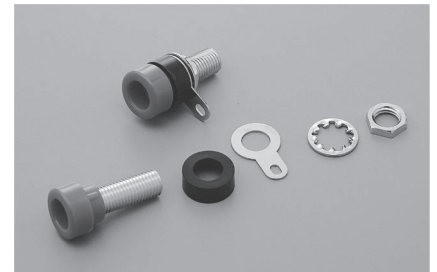
■ How to order



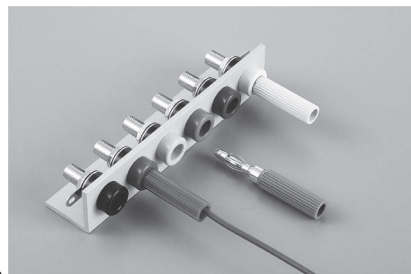
Jack for soft plug

BQ-4 series (10pcs/pack)

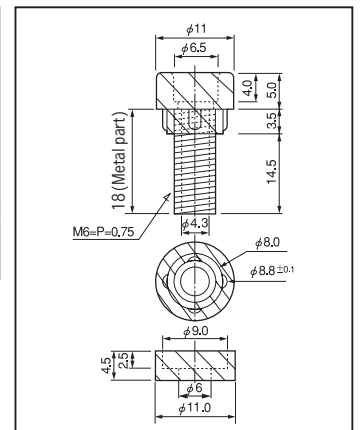
- This jack can be fit to a panel.
- This is used as the insertion side of BJ-4 series.
- Seven colors, BLACK, RED, YELLOW, GREEN, BLUE, GRAY, WHITE, are available.
- Material
Metal part: Brass
Resin part: Main body, Fitting bracket: PPE (UL94V-1)
Color: Main body: BLACK, RED, YELLOW, GREEN, BLUE, GRAY, WHITE
Fitting bracket: Black only
- Finish (Contact part)
BQ-4-G: Gold plating over nickel base
BQ-4-N: Nickel plating
- Other: Nickel plating
- Rated current: 15A
- Insulation resistance: 500M Ω or over
- Withstand voltage: 1000V AC, DC per minute
- Adaptive plug: BJ-4 series
- Operating temperature range: - 40 to + 125°C
- Panel fitting hole diameter: φ 9.0
- Thickness of panel that can be fit: 1.2 mm to 3.0 mm



■ Example of usage



■ Dimension



■ How to order



■ Instructions for use

Please use with the tightening torque of 3kgf-cm (29.4 N-cm) or less when fitting.