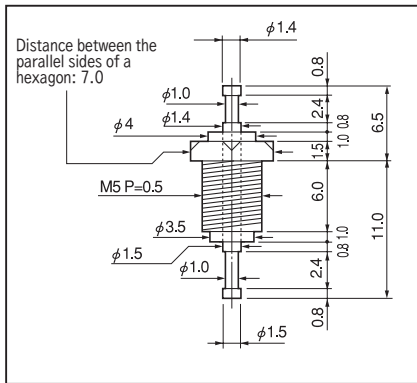
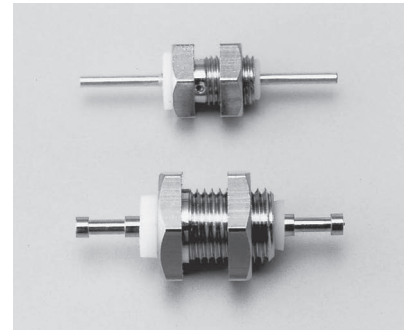


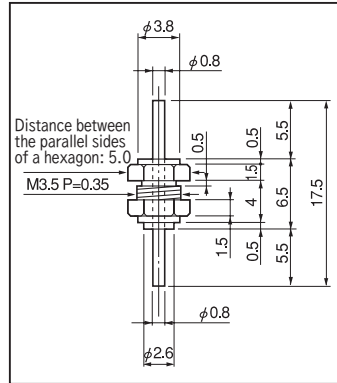
For check (fluorine type)

Part No.: **PF-1-1, PF-1-2** (10pcs/pack)

- This is used for checking of high frequency, etc. by taking out on a panel.
- Material Resin part: Fluorine (milky white) (UL94V-0)
Pin part: Brass, Gold plating over nickel base
Nut part: Brass, Nickel plating
- With nut
- Thickness of panel that can be fit: 0.5mm to 3.0mm (PF-1-1)
0.5mm to 2.0mm (PF-1-2)
- Panel fitting hole diameter: ϕ 5.2(PF-1-1)、 ϕ 3.7(PF-1-2)



PF-1-1



PF-1-2

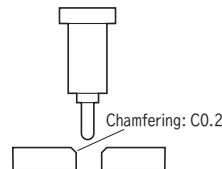
Socket (fluorine type)

Part No.: **PF-5-1, PF-6-1, PF-7-1** (10pcs/pack)

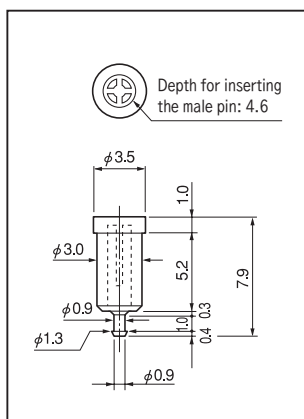
- This is used for taking out high frequency, etc. to the outside via a panel.
- Material Resin part: Fluorine (milky white) (UL94V-0)
Metal part: Phosphor bronze, Gold plating over nickel base
- Fitting method: Press-fitting type
- Thickness of panel that can be fit: 2.0 mm to 5.0 mm

■ Fitting method

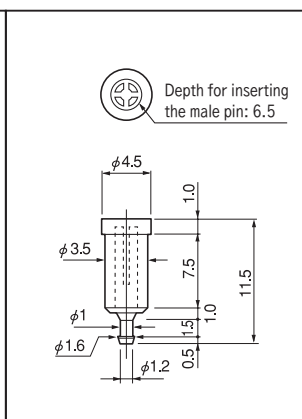
- Press-fit vertically.
- Chamfer the inlet C0.2.
- Perform a hole drilling test prior to use.



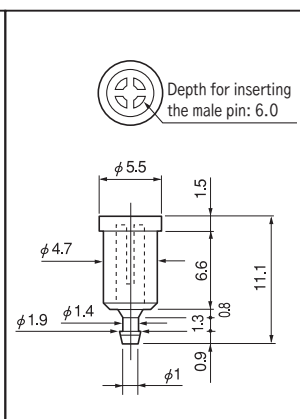
Part No.	Adaptive male pin diameter	Panel fitting hole diameter	Adaptive plug
PF-5-1	ϕ 1.0	ϕ 2.9 ⁺⁰ / _{-0.05}	OP-5-1、OP-6-1
PF-6-1	ϕ 1.0	ϕ 3.4 ⁺⁰ / _{-0.05}	OP-5-1、OP-6-1
PF-7-1	ϕ 2.0	ϕ 4.6 ⁺⁰ / _{-0.05}	OP-7-1



PF-5-1



PF-6-1



PF-7-1

■ Specification (PF series)

- Rated current: PF-1-1:5A
PF-1-2:5A
PF-5-1:5A
PF-6-1:5A
PF-7-1:10A
- Withstand voltage: 2000V AC, DC per minute
- Insulation resistance: 500M Ω or over
- Operating temperature range: - 50 to 180°C
- Contact resistance: 10m Ω or less