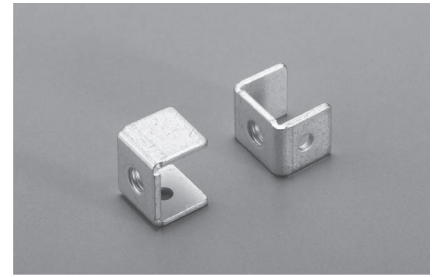


**Power supply terminal for surface mounting (For M3)**

**PV-13A series**

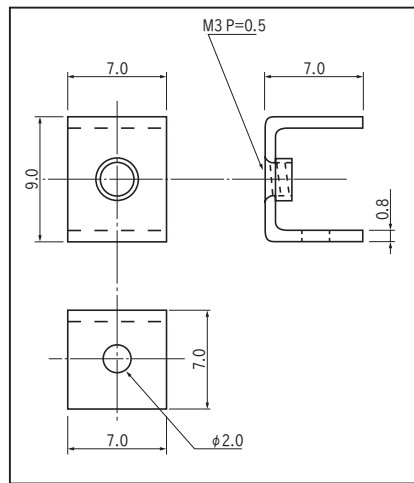
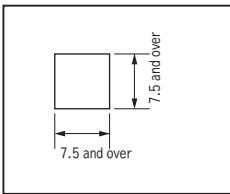
- This is used for supplying power from side to surface mounting board.
- This is PV-13 without positioning pin. (No need to prepare positioning pin.)
- Please fit a crimping terminal at the edge of electric wire and tighten with M3 screw.
- Material: Brass
- Finish: Tin plating over nickel base
- Rated current: 20A



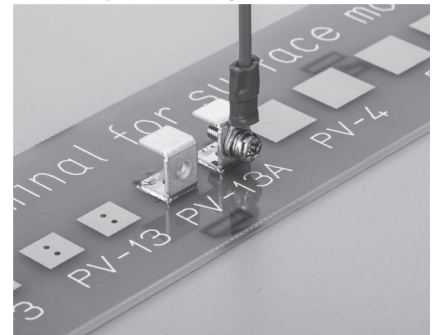
■ **Recommended metal mask thickness**  
150 μm to 200 μm

■ **Tightening torque**  
5kgf-cm (49N-cm) or less

■ **Recommended land information**



■ **Example of usage**



■ **Part No.**

Part No.	Package
PV-13A	Bulk (100pcs/pack)
PV-13A-T	Reel (500pcs/reel)

■ **Dimension of the reel**

