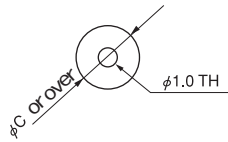


**Male spacer for surface mounting (M2, M2.6, M3, M4)**

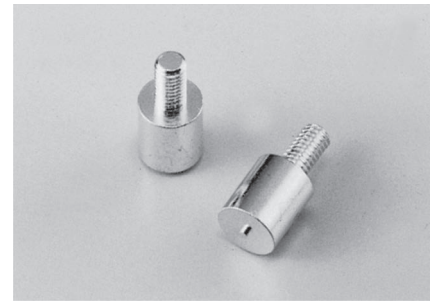
**SW series**

- A chip mounter can be used for this spacer.
- Please fit the surface mounting board and solder by reflow.
- The small protuberance on the lower part is attached to prevent misalignment.
- This product can be used for various purposes such as two-tiered installation of PC boards and fitting of a panel.
- Electricity can be applied to this.
- Material: Brass
- Finish: Tin plating over nickel base
- Rated current: 2SW: 10A  
2.6SW: 20A  
3SW: 30A  
4SW: 40A
- Recommended land information

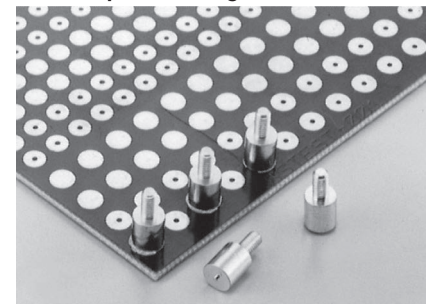


	C
2SW	5.0
2.6SW	6.0
3SW	7.0
4SW	9.0

- Recommended metal mask thickness  
150 μm to 200 μm Please apply evenly (not to avoid the through hole).
- Tightening torquer  
2SW:2kgf-cm or less  
2.6SW:4kgf-cm or less  
3SW:5kgf-cm or less  
4SW:6kgf-cm or less



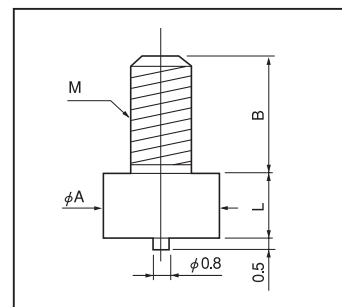
**Example of usage**



**Part No.**

Part No.	L	A	B	M	Package
2SW-1	1	4	5	M2	Bulk (100pcs/package)
2SW-1-T	1	4	5	M2	Reel (900pcs/reel)
2SW-2	2	4	5	M2	Bulk (100pcs/package)
2SW-3	3	4	5	M2	Bulk (100pcs/package)
2SW-4	4	4	5	M2	Bulk (100pcs/package)
2SW-5	5	4	5	M2	Bulk (100pcs/package)
2SW-6	6	4	5	M2	Bulk (100pcs/package)
2SW-7	7	4	5	M2	Bulk (100pcs/package)
2SW-8	8	4	5	M2	Bulk (100pcs/package)
2SW-9	9	4	5	M2	Bulk (100pcs/package)
2SW-10	10	4	5	M2	Bulk (100pcs/package)
2.6SW-1	1	5	6	M2.6	Bulk (100pcs/package)
2.6SW-1-T	1	5	6	M2.6	Reel (600pcs/reel)
2.6SW-2	2	5	6	M2.6	Bulk (100pcs/package)
2.6SW-3	3	5	6	M2.6	Bulk (100pcs/package)
2.6SW-4	4	5	6	M2.6	Bulk (100pcs/package)
2.6SW-5	5	5	6	M2.6	Bulk (100pcs/package)
2.6SW-6	6	5	6	M2.6	Bulk (100pcs/package)
2.6SW-7	7	5	6	M2.6	Bulk (100pcs/package)
2.6SW-8	8	5	6	M2.6	Bulk (100pcs/package)
2.6SW-9	9	5	6	M2.6	Bulk (100pcs/package)
2.6SW-10	10	5	6	M2.6	Bulk (100pcs/package)
3SW-1	1	6	6	M3	Bulk (100pcs/package)
3SW-1-T	1	6	6	M3	Reel (600pcs/reel)
3SW-2	2	6	6	M3	Bulk (100pcs/package)
3SW-2-T	2	6	6	M3	Reel (500pcs/reel)
3SW-3	3	6	6	M3	Bulk (100pcs/package)
3SW-4	4	6	6	M3	Bulk (100pcs/package)
3SW-5	5	6	6	M3	Bulk (100pcs/package)
3SW-6	6	6	6	M3	Bulk (100pcs/package)
3SW-7	7	6	6	M3	Bulk (100pcs/package)
3SW-8	8	6	6	M3	Bulk (100pcs/package)
3SW-9	9	6	6	M3	Bulk (100pcs/package)
3SW-10	10	6	6	M3	Bulk (100pcs/package)
4SW-1	1	8	7	M4	Bulk (100pcs/package)
4SW-1-T	1	8	7	M4	Reel (300pcs/reel)
4SW-2	2	8	7	M4	Bulk (100pcs/package)
4SW-2-T	2	8	7	M4	Reel (300pcs/reel)
4SW-3	3	8	7	M4	Bulk (100pcs/package)
4SW-4	4	8	7	M4	Bulk (100pcs/package)
4SW-5	5	8	7	M4	Bulk (100pcs/package)
4SW-6	6	8	7	M4	Bulk (100pcs/package)
4SW-7	7	8	7	M4	Bulk (100pcs/package)
4SW-8	8	8	7	M4	Bulk (100pcs/package)
4SW-9	9	8	7	M4	Bulk (100pcs/package)
4SW-10	10	8	7	M4	Bulk (100pcs/package)

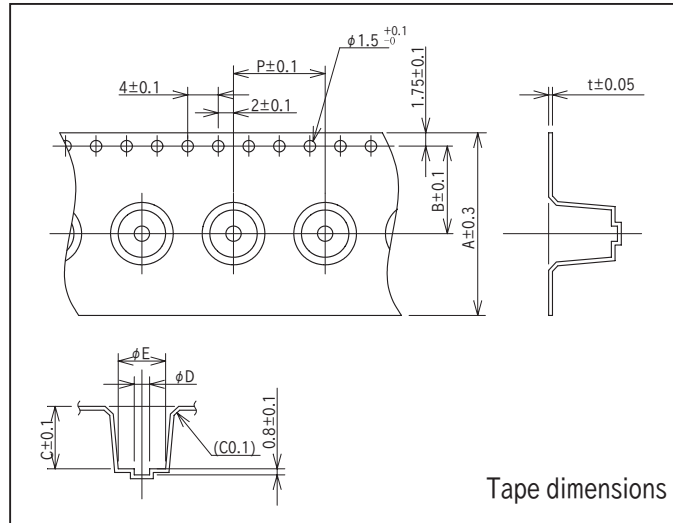
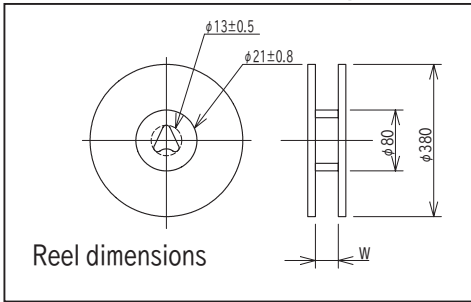
**Dimension**



Male spacer for surface mounting (M2, M2.6, M3, M4)

**SW series**

■ Dimension of SW series tape



■ Part No.

Part No.	quantity per reel	Dimensions of the reel	Dimensions of the tape						
		W	A	B	C	D	E	P	t
2SW-1-T	900	17.5	16	7.5	7.2	1.5	4.2	12	0.4
2.6SW-1-T	600	25.5	24	11.5	7.2	1.5	5.2	12	0.4
3SW-1-T	600	25.5	24	11.5	8.2	2.0	6.2	12	0.4
3SW-2-T	500	25.5	24	11.5	9.2	2.0	6.2	16	0.5
4SW-1-T	300	25.5	24	11.5	10.2	2.0	8.2	20	0.5
4SW-2-T	300	25.5	24	11.5	11.2	2.0	8.2	20	0.5

- Please consult with the machine manufacture for the adsorption nozzle.