

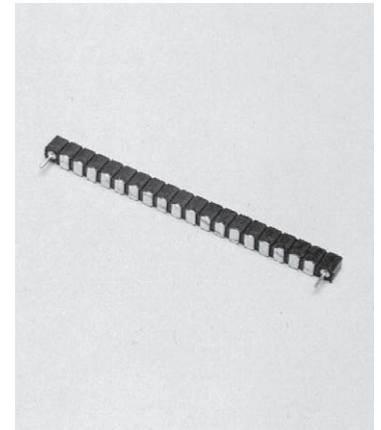
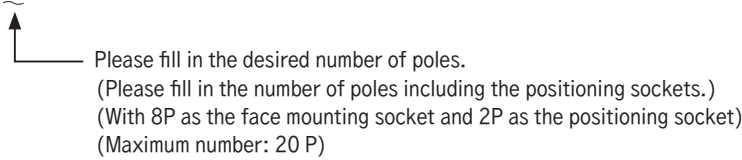
**Vertical type connection socket for surface mounting (with position)**

Part No.: **PES-1** (10pcs/pack)

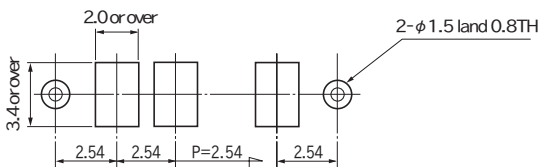
- This is the type with positioning sockets for the both sides of PEM-1.
- The specification is the same as PEM-1.
- In the same manner as the face mounting socket, the positioning socket can be electrically used.

■ **How to order**

PES-1-10P

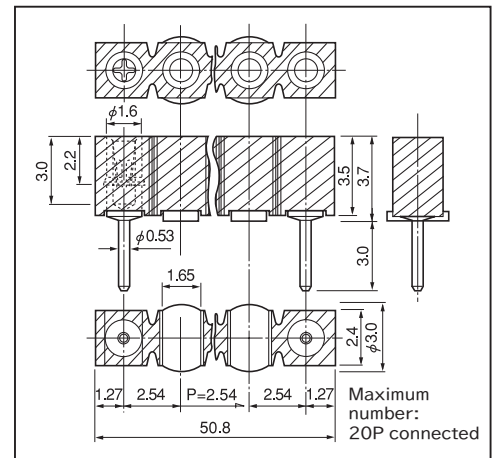


■ **Recommended land information**



■ **Instructions for mounting**

- In the case that a warpage occurs on the resin part during reflow because many pins are connected for use, apply an adhesive to several positions and fix.



**Socket pin for surface mounting**

Part No.: **PE-1** (100pcs/pack)

- This socket can be fit to a surface mounting board.
- Adaptive male pin is OP-1-2, OP-2-2 and OJ-2.
- Material
  - Body Brass: Tin plating over nickel base
  - Contact part Beryllium copper: Gold plating over nickel base
- Specification
  - Rated current: 1A
  - Contact resistance: 10m Ω or less
  - Insertion / removal durability : 100 cycles
  - Insertion / removal forces: 70g or over
  - Adaptive male pin diameter: φ 0.45 to φ 0.6
  - Operating temperature range: - 40 to + 125°C

■ **Part No.:** PE-1

