

Vertical fitting mount for PC board

AGH series (10pcs/pack)

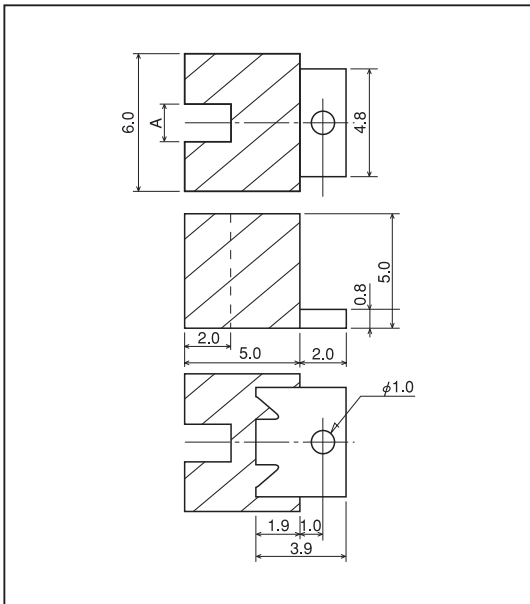
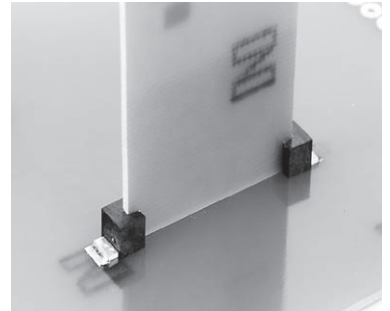
- This product is a mount for supporting when a PC board is vertically fit to a surface mounting PC board.
- Material Resin part: PPS black (UL94V-0)
Pin part: Phosphor bronze (Tin plating over nickel base)
- Operating temperature range: - 40 to + 125°C



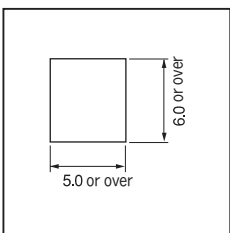
■ Part No.

Part No.	A	Adaptive printed board thickness
AGH-0.6	0.7	0.6
AGH-0.8	0.9	0.8
AGH-1.0	1.1	1.0
AGH-1.2	1.3	1.2
AGH-1.6	1.7	1.6

■ Example of usage



■ Recommended land information



■ Recommended metal mask thickness

150 μ m to 200 μ m