

LED fitting pin for SMT

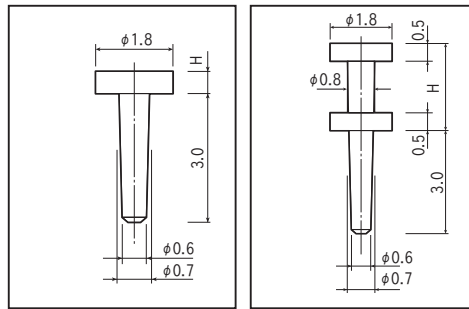
LYS series (100pcs/pack)

- In the case that production of bullet-shaped LED is discontinued or it becomes unavailable, this part is used as follows: Mate and solder this part to the through hole of bullet-type LED. Then, solder and fix the LED for SMT on the upper part.
- The height ranges from 0.5 mm to 10 mm.
- Material: Brass
- Finish: Tin plating over nickel base
- Rated current: 5A
- Adaptive SMT LED size: 3.2 × 1.6、2 × 1.25



■ Part No.

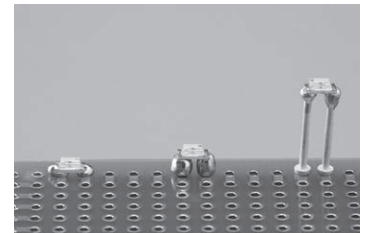
Part No.	H
LYS-1-0.5	0.5
LYS-1-1	1
LYS-1-1.5	1.5
LYS-1-2	2
LYS-1-2.5	2.5
LYS-1-3	3
LYS-1-3.5	3.5
LYS-1-4	4
LYS-1-4.5	4.5
LYS-1-5	5
LYS-1-6	6
LYS-1-7	7
LYS-1-8	8
LYS-1-9	9
LYS-1-10	10



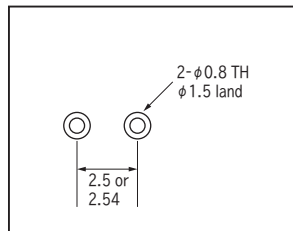
LYS-1-0.5
to
LYS-1-2

LYS-1-2.5
to
LYS-1-10

■ Example of usage



■ Recommended land information



■ Example of fitting

