

**Power supply terminal for surface mounting (For M3, M4)**

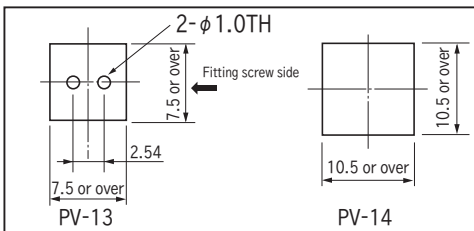
**PV-13, PV-14 series**

- This is used for supplying power to a surface mounting board from the horizontal direction.
- Pushing-out pins for positioning are attached to two positions. (PV-13 type)
- Please fit a crimping terminal (for M3) at the edge of electric wire and tighten with a M3 screw. (PV-13)
- Please fit a crimping terminal (for M4) at the edge of electric wire and tighten with a M4 screw. (PV-14)
- Material: Brass (PV-13), Copper (PV-14)
- Finish: Tin plating over nickel base
- Rated current: 20A (PV-13)  
30A (PV-14)

**Part No.**

Part No.	Package
PV-13	Bulk (100pcs/pack)
PV-13-T	Reel (500pcs/reel)
PV-14	Bulk (100pcs/pack)
PV-14-T	Reel (350pcs/reel)

**Recommended land information**



**Recommended metal mask thickness**

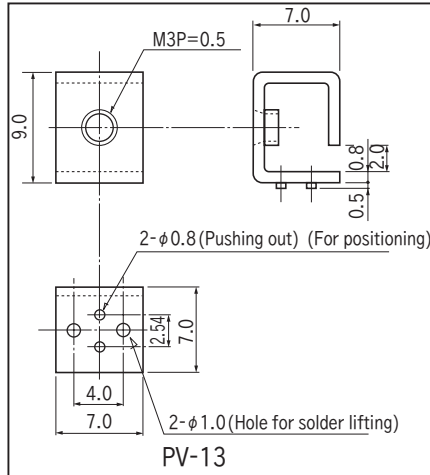
150 μm to 200 μm

(Please apply evenly without avoiding the through hole.) (PV-13)

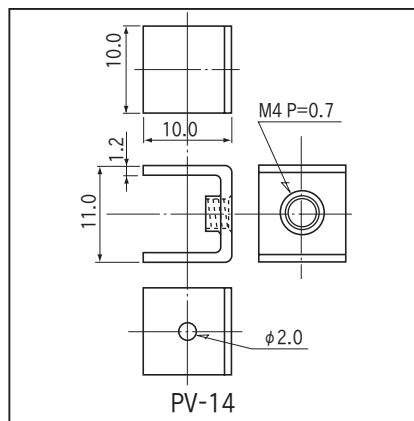
**Tightening torque**

5kgf-cm (49N-cm) or less (PV-13)

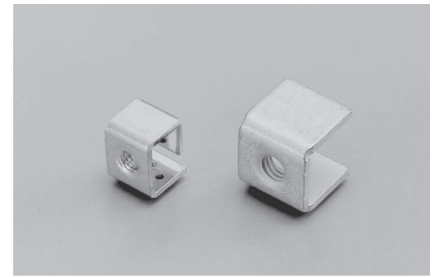
5kgf-cm (49N-cm) or less (PV-14)



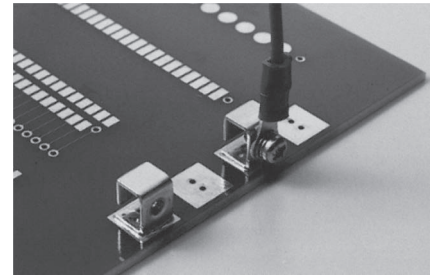
PV-13



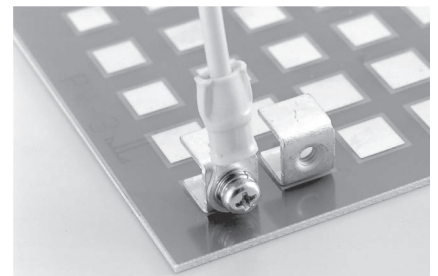
PV-14



**Example of usage**

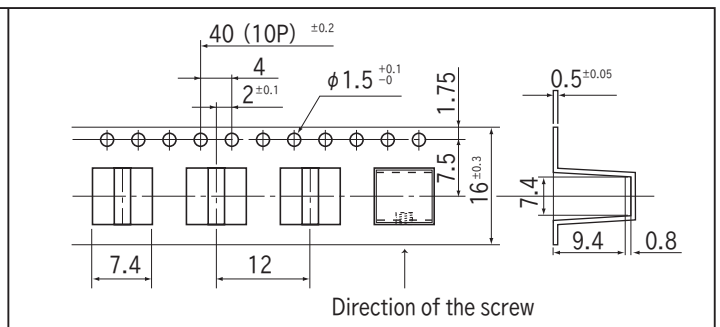
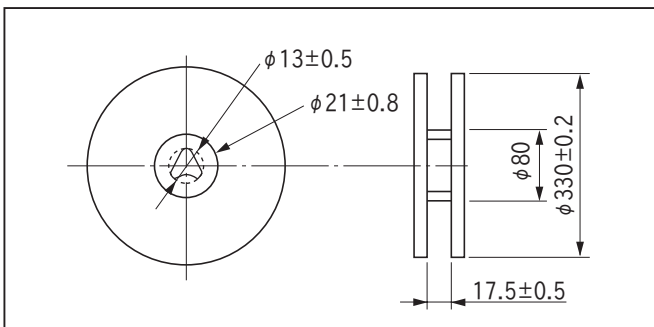


PV-13



PV-14

**Dimension of PV-13-T**



**Dimension of PV-14-T**

