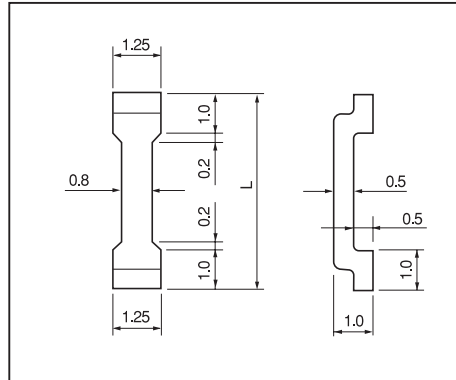
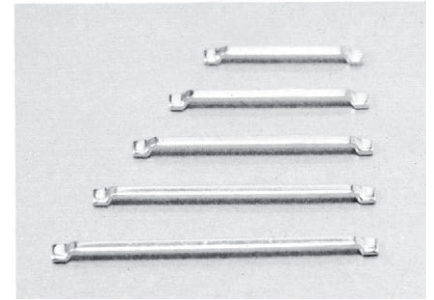


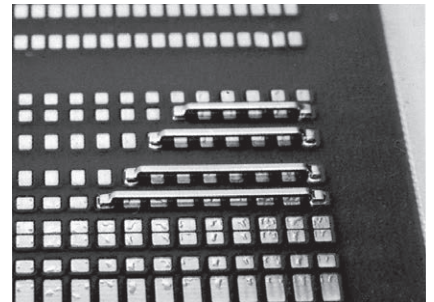
Jumper wire for surface mounting

MJ series

- This is used as the jumper wire when a pattern cannot go through a surface mounting board etc.
- As it is raised by 0.5 mm from the part surface, there is no problem when a pattern is running under it.
- Material: Phosphor bronze
- Finish: Tin plating over nickel base
- Rated current: 7A



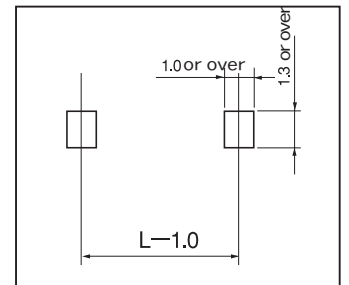
■ Example of usage



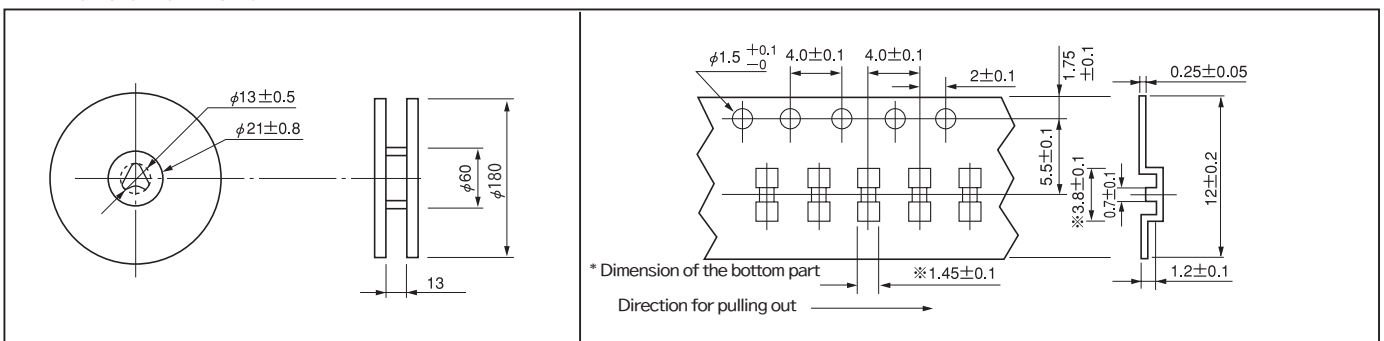
■ Part No.

Part No.	L	Package	Tape width
MJ-0.1	3.54	Bulk (1000pcs/pack)	-
MJ-0.1-T	3.54	Reel (2000pcs/reel)	12
MJ-0.2	6.08	Bulk (1000pcs/pack)	-
MJ-0.2-T	6.08	Reel (2000pcs/reel)	12
MJ-0.3	8.62	Bulk (1000pcs/pack)	-
MJ-0.3-T	8.62	Reel (2000pcs/reel)	16
MJ-0.4	11.16	Bulk (1000pcs/pack)	-
MJ-0.4-T	11.16	Reel (2000pcs/reel)	24
MJ-0.5	13.7	Bulk (1000pcs/pack)	-
MJ-0.5-T	13.7	Reel (2000pcs/reel)	24
MJ-0.6	16.24	Bulk (1000pcs/pack)	-
MJ-0.6-T	16.24	Reel (2000pcs/reel)	24
MJ-0.7	18.78	Bulk (1000pcs/pack)	-
MJ-0.7-T	18.78	Reel (2000pcs/reel)	32
MJ-0.8	21.32	Bulk (1000pcs/pack)	-
MJ-0.8-T	21.32	Reel (2000pcs/reel)	32

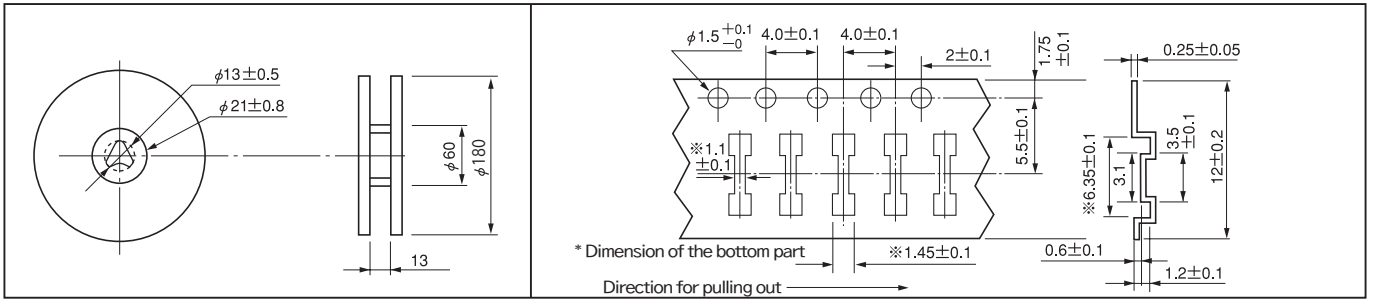
■ Recommended land information



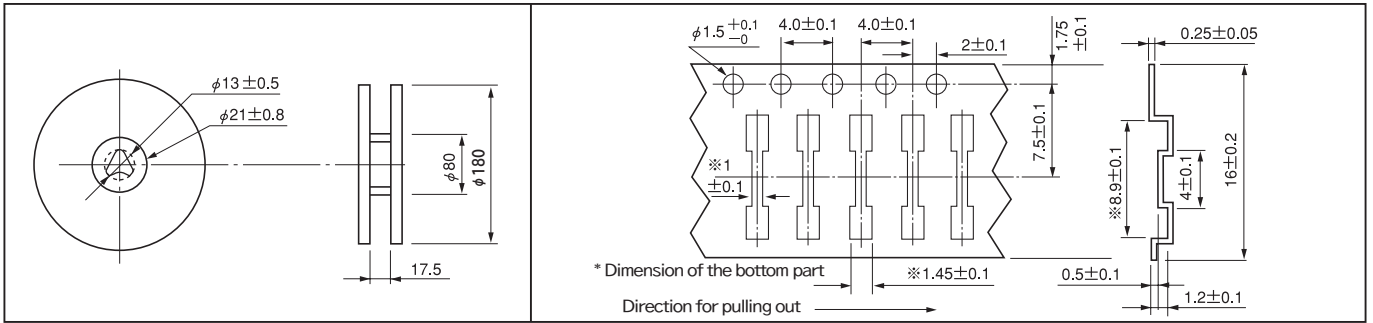
■ Dimension of MJ-0.1-T



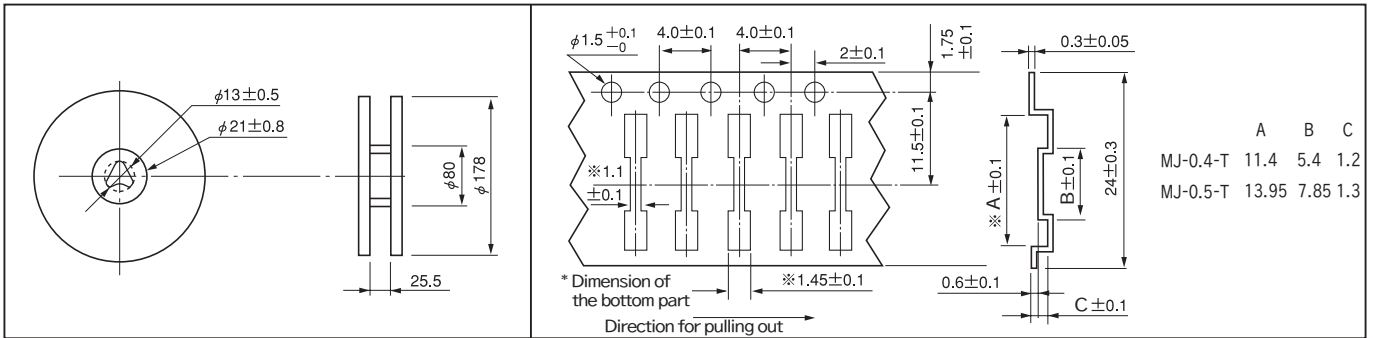
■ Dimension of MJ-0.2-T



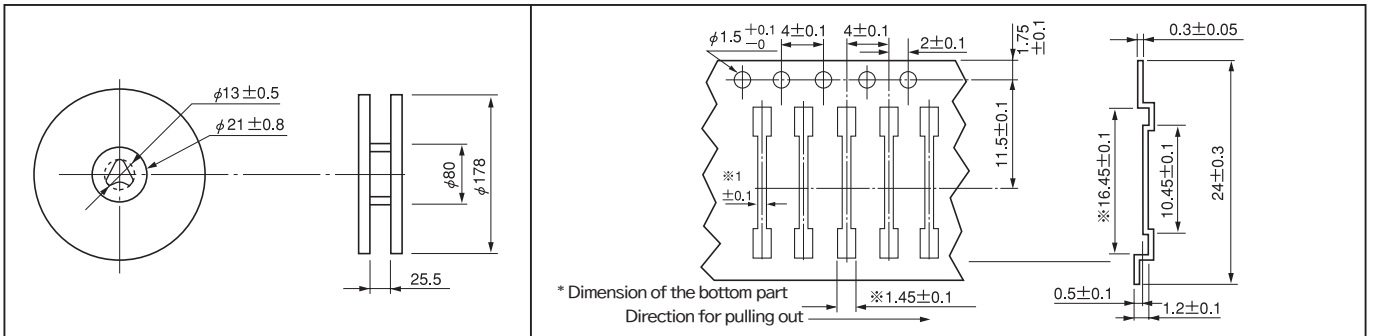
■ Dimension of MJ-0.3-T



■ Dimension of MJ-0.4-T MJ-0.5-T



■ Dimension of MJ-0.6-T



■ Dimension of MJ-0.7-T

