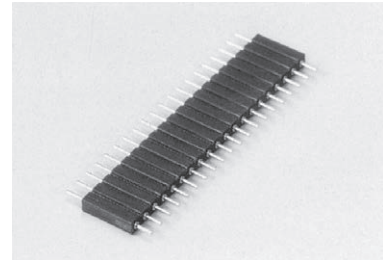


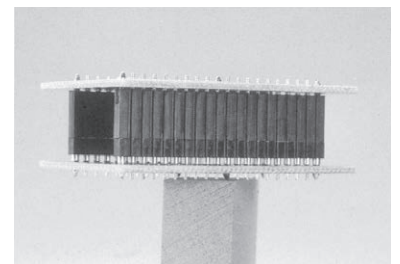
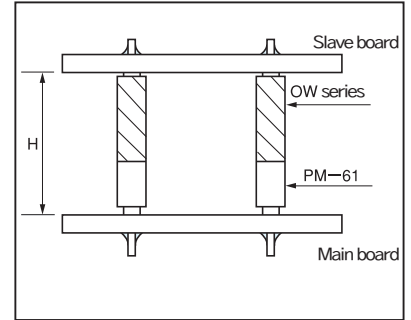
For insertion / removal of two-tiered type (strong type) (Pitch: 2.54mm)

OW series (10pcs/pack)

- This is used for removal / insertion PC boards of two-tiered type.
(Mating socket: PM-61)
- Pitch: 2.54 mm, 20P connected
- Material Pin part: Phosphor bronze, Finish: Gold plating over nickel base
Resin part: PBT black (UL94V-0)
- Rated current: 4A
- Insulation resistance: 500M Ω or over
- Withstand voltage: 1000V AC, DC per minute
- Operating temperature range: - 40 to + 125°C
- Printed board fitting hole diameter: φ 0.9
- Adaptive socket: PM-61

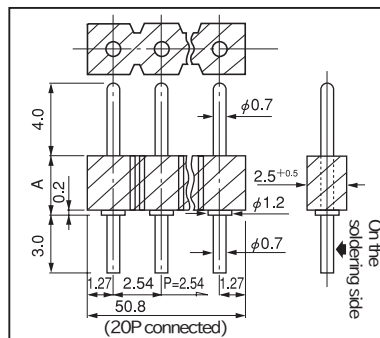


Example of usage



Part No.	A	H
OW-3-1.2	1.2	6.2
OW-3-2	2	7
OW-3-3	3	8
OW-3-4	4	9
OW-3-5	5	10
OW-3-7	7	12
OW-3-10	10	15
OW-3-12.5	12.5	17.5
OW-3-15	15	20
OW-3-17.5	17.5	22.5
OW-3-20	20	25
OW-3-25	25	30
OW-3-30	30	35

The dimension H indicates the distance between the main board and the slave board when PM-61 is used.



• Without the edge R for OW-3-25, and OW-3-30

How to order:

OW-3-5-10P

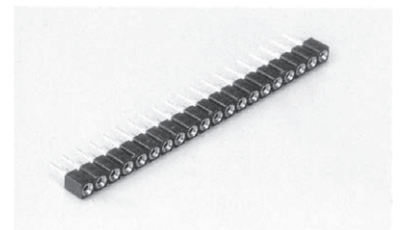
↑ Please fill in the number of poles.
(Maximum number: 20P)

(If the number is not specified, we will deliver the part of the maximum number of connection.)

Socket for OW series (Pitch: 2.54mm)

Part No.: PM-61 (10pcs/pack)

- By combining with OW series described above, this can be used for mounting PC boards by two-tiered installation.
- This can also be used as LED sockets.
- Pitch: 2.54mm, 20P connected
- Material Body: Brass (Tin plating over nickel base)
Contact: Beryllium copper (gold plating) Resin: PBT black (UL94V-0)
- Rated current: 3A • Contact resistance: 10m Ω or less
- Insulation resistance: 500M Ω or over • Withstand voltage: 1000V AC, DC per minute
- Insulation / removal durability : 100 cycles • Removal / Insertion forces: 70g or over (per pin)
- Operating temperature range: - 40 to + 125°C
- Adaptive male pin diameter: φ 0.6 to φ 0.8
- Printed board fitting hole diameter: φ 0.8



Part No.: PM-61

How to order:

PM-61-10P

↑ Please fill in the number of poles.
(Maximum number: 20P)

(If the number is not specified, we will deliver the part of the maximum number of connection.)

