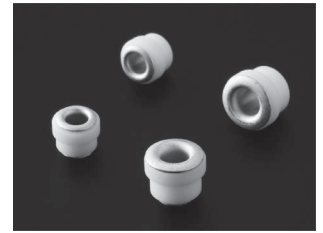


**Parts relay terminal**

**FF series (100pcs/pack)**

- This product is valid for a place requiring withstand voltage and dielectric property.
- This is used for relaying of four or more electric parts at one place.
- This is fit by press-fitting.
- Material
  - Outside: Fluorine, Milky white (UL94V-0)
  - Inside: Brass, Tin plating over nickel base



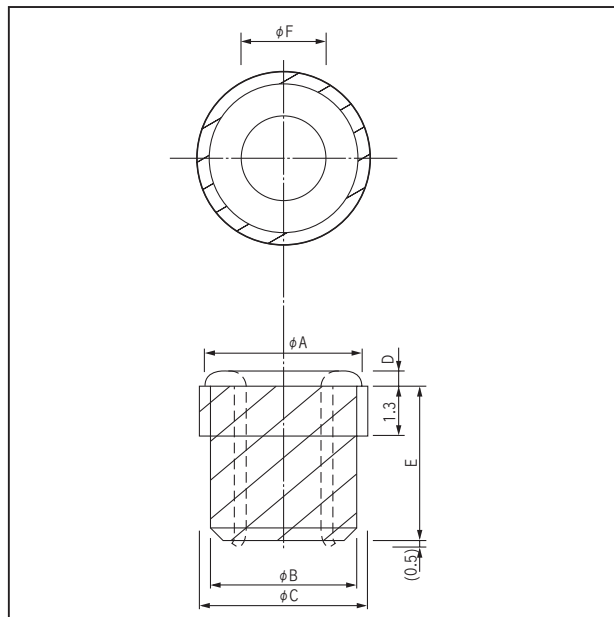
■ Part No.

Part No.	A	B	C	D	E	F	Fitting hole diameter
FF-1-1	3.8	3.8	4.4	0.4	3.1	2.0	$\phi 3.7^{+0}_{-0.05}$
FF-1-2	5.3	4.7	5.6	0.5	3.9	2.5	$\phi 4.6^{+0}_{-0.05}$

■ Example of usage



■ Dimension



■ Reference drawing of the fitting hole

