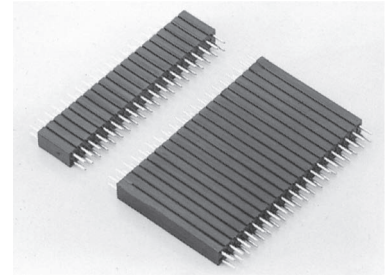


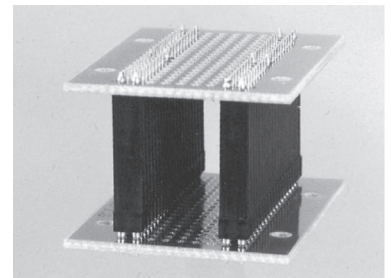
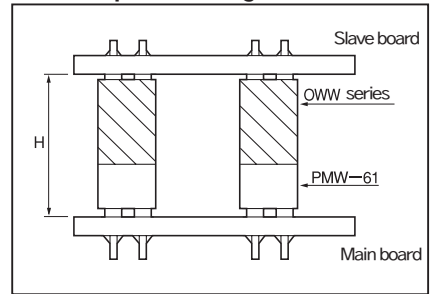
For insertion / removal of two-tiered type (strong type) (Pitch: 2.54mm)

OWW series (10pcs/pack)

- This is used for removal / insertion PC boards of two-tiered type. (Mating socket: PMW-61)
- Pitch: 2.54mm, 20P connected
- Material Pin part: Phosphor bronze, Finish: Gold plating over nickel base
Resin part: PBT black (UL94V-0)
- Rated current: 4A
- Insulation resistance: 500M Ω or over ● Withstand voltage: 1000V AC, DC per minute
- Operating temperature range: - 40 to + 125°C
- Printed board fitting hole diameter: φ 0.9
- Adaptive socket: PMW-61

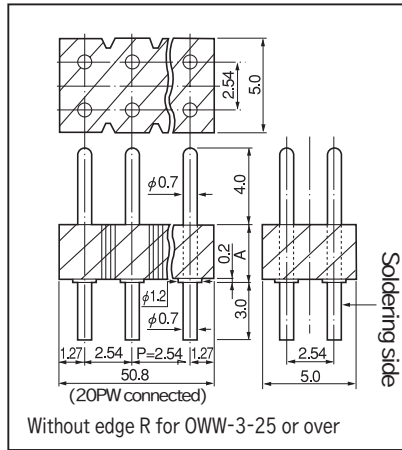


Example of usage



Part No.	A	H
OWW-3-1.2	1.2	6.2
OWW-3-2	2	7
OWW-3-3	3	8
OWW-3-4	4	9
OWW-3-5	5	10
OWW-3-7	7	12
OWW-3-10	10	15
OWW-3-12.5	12.5	17.5
OWW-3-15	15	20
OWW-3-17.5	17.5	22.5
OWW-3-20	20	25
OWW-3-25	25	30
OWW-3-30	30	35
OWW-3-45	45	50
OWW-3-50	50	55

The dimension H indicates the distance between the main board and the slave board when PMW-61 is used.



How to order:

OWW-3-5-10PW

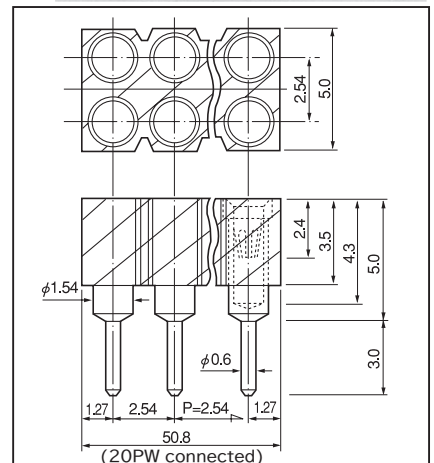
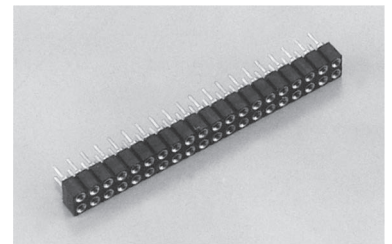
↑ Fill in the number of poles of the one side. (Maximum number: 20PW)

(If the number is not specified, we will deliver the part of the maximum number of connection.)

Socket for OWW series (Pitch: 2.54mm)

Part No.: PMW-61 (10pcs/pack)

- By combining with OWW series described above, this can be used for mounting PC boards by two-tiered installation.
- This can be used for LED sockets.
- Pitch: 2.54mm, 20P connected
- Material Body: Brass (Tin plating over nickel base) Contact: Beryllium copper (gold plating)
Resin: PBT black (UL94V-0)
- Rated current: 3A ● Contact resistance: 10m Ω or less
- Insulation resistance: 500M Ω or over ● Withstand voltage: 1000V AC, DC per minute
- Insulation / removal durability : 100 cycles
- Insertion / removal forces: 70g or over (per pin)
- Operating temperature range: - 40 to + 125°C
- Adaptive male pin diameter: φ 0.6 to φ 0.8
- Printed board fitting hole diameter: φ 0.8



Part No.: PMW-61

How to order:

PMW-61-10PW

↑ Fill in the number of poles of the one side. (Maximum number: 20PW)

(If the number is not specified, we will deliver the part of the maximum number of connection.)