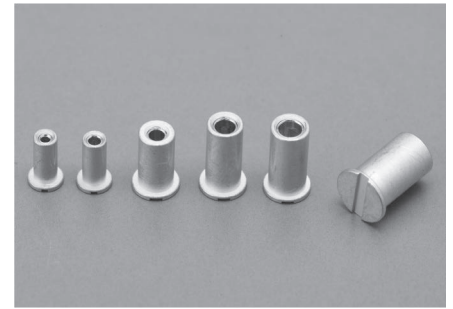


Socket pin for surface mounting

PDS series

- This socket pin can be fit to a board for surface mounting.
- Please check the adaptive male pin diameter prior to use.
- An adsorption seal is not attached. Please conduct adsorption as it is.
- Material Body: Brass
Contact: Beryllium copper
- Finish: Body: Tin plating over nickel base
Contact: Gold plating over nickel base



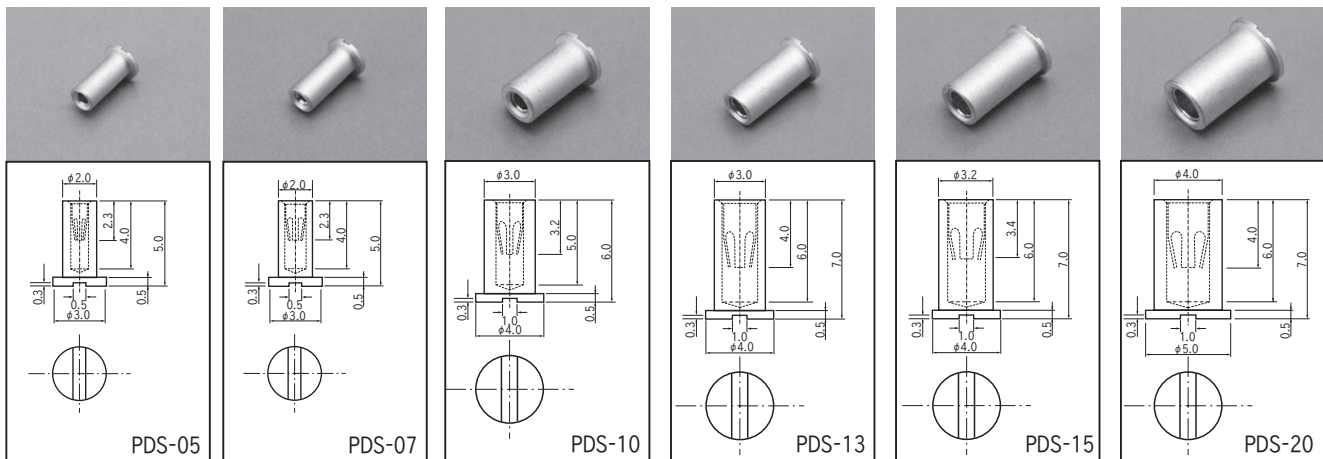
■ Part No.

| Part No. | Adaptive male pin diameter | Male pin insertion depth | Recommended land information | Package |
|----------|----------------------------|--------------------------|------------------------------|--------------------|
| PDS-05 | φ 0.4 to φ 0.6 | 4.0 | φ 4.0 or over | Reel (350pcs/reel) |
| PDS-07 | φ 0.6 to φ 0.8, □0.64 | 4.0 | φ 4.0 or over | Reel (350pcs/reel) |
| PDS-10 | φ 0.8 to φ 1.15 | 5.0 | φ 5.0 or over | Reel (400pcs/reel) |
| PDS-13 | φ 1.2 to φ 1.45 | 6.0 | φ 5.0 or over | Reel (400pcs/reel) |
| PDS-15 | φ 1.3 to φ 1.6 | 6.0 | φ 5.0 or over | Reel (400pcs/reel) |
| PDS-20 | φ 1.7 to φ 2.05 | 6.0 | φ 6.0 or over | Reel (400pcs/reel) |

■ How to order separate item

Example: PDS-05-B (100pcs/pack)
 ↑
 Please put -B.

■ Dimension



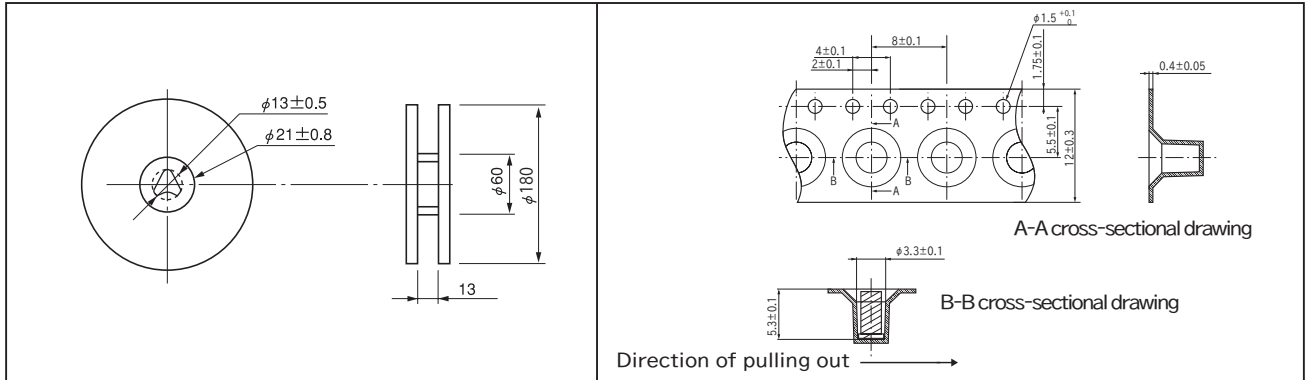
■ Specification

| | PDS-05 | PDS-07 | PDS-10 | PDS-13 | PDS-15 | PDS-20 |
|--------------------------------------|----------------|--------|--------|--------|--------|--------|
| Rated current | 1A | 3A | 5A | 15A | 15A | 20A |
| Contact resistance | 10m Ω or less | | | | | |
| Operating temperature range | - 40 to +125°C | | | | | |
| Insertion / removal durability | 100 cycles | | | | | |
| Insertion/removal forces (g or over) | 70 | 70 | 70 | 100 | 100 | 150 |

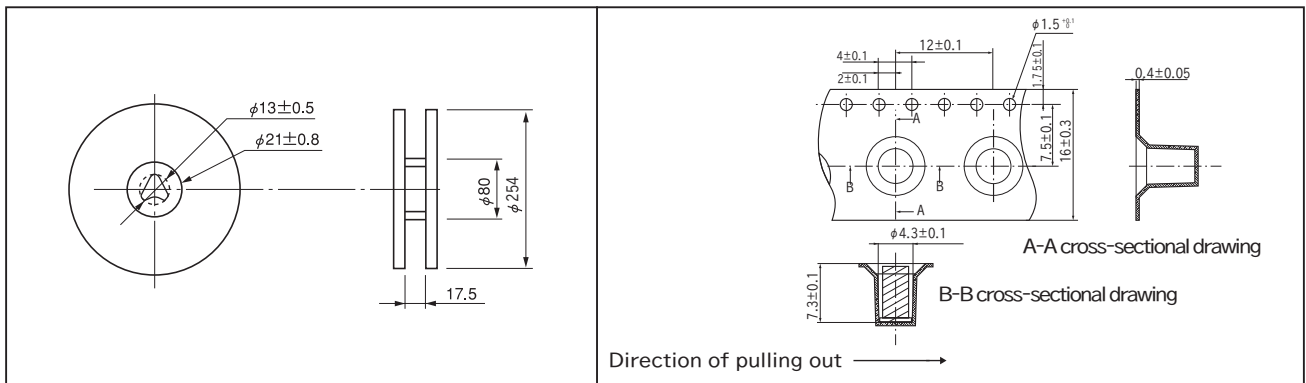
Socket pin for surface mounting
PDS series Dimension of the reel

■ Dimension of the reel

■ PDS-05 ■ PDS-07



■ PDS-10 ■ PDS-13 ■ PDS-15



■ PDS-20

