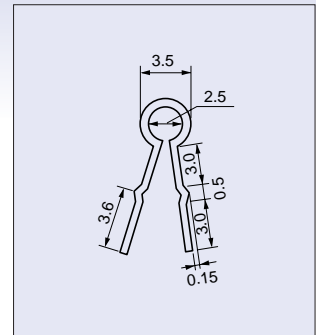


# LC Series / Test Pin for Oscilloscope

## Test Pin for Oscilloscope [ LC-1-G • LC-1-S ] (1000/pack)

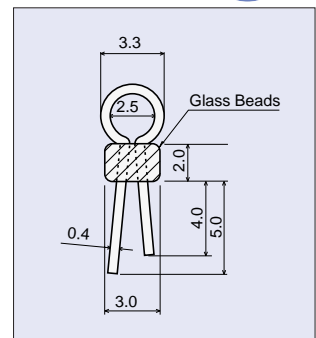
Can hook oscilloscope probe  
 Can be fixed at protrusion level.  
 To make the height lower, the PCB TH should be at least 1.4  
 Material.....Phosphor Bronze 0.5  
 Finish.....LC-1-G .....Plated Au over Ni base  
                   LC-1-S .....Plated Sn over Ni base  
 PCB TH Diameter.....1.2  
 Operating Temperature..... - 40 ~ + 150°C



## Test Point for Oscilloscope [ LC-2-G • LC-2-S ] (1000/pack)



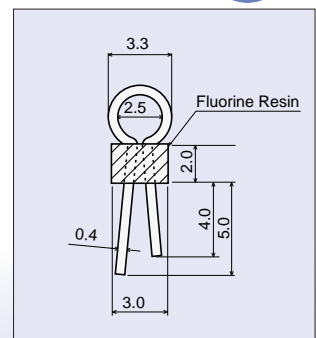
Can hook oscilloscope probe  
 Can distinguish each signal line by using different colors  
 Material.....Phosphor Bronze 0.4 & Glass Beads  
 Finish.....LC-2-G .....Plated Au over Ni base  
                   LC-2-S .....Plated Sn over Ni base  
 PCB TH Diameter.....1.0  
 Operating Temperature..... - 40 ~ + 150°C  
 Color.....Black, Lightgreen, Green, Skyblue, Purple, White



## Test Point for Oscilloscope [ LC-22-G • LC-22-S ] (1000/pack)



Material...Metal...Phosphor Bronze 0.4  
                   Plastic Part...Fluorine Resin(UL94V-0)  
 Finish..... LC-22-G.....Plated Au over Ni base  
                   LC-22-S .....Plated Sn over Ni base  
 PCB TH Diameter.....1.0  
 Operating Temperature..... - 40 ~ + 150°C  
 Color.....Brown, Red, Orange, Yellow



No.1 distributor of MAC8

**SHINDENKIZAI Co., LTD.**

Contact  
 e-mail: sdk@mac8sdk.co.jp FAX: +81-3-3253-5965

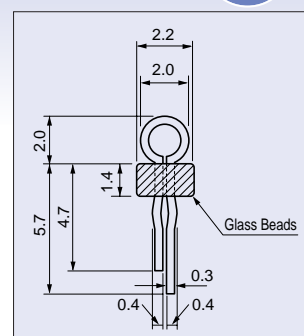
[http://www.mac8sdk.co.jp/index\\_e.html](http://www.mac8sdk.co.jp/index_e.html)

# LC Series / Test Pin for Oscilloscope

## Test Pin for Oscilloscope [ LC-3-G • LC-3-S ] (1000/pack)

PAT

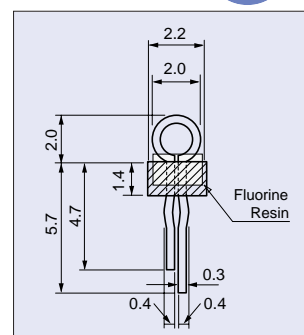
Can hook oscilloscope probe  
 Pitch Distance: 2.54mm  
 Can distinguish each signal line by using different colors  
 Material.....Phosphor Bronze 0.3 and Glass Beads  
 Finish.....LC-3-G .....Plated Au over Ni base  
                   LC-3-S .....Plated Sn over Ni base  
 PCB TH Diameter.....0.8  
 Operating Temperature... - 40 ~ + 150°C  
 Color.....Black, Light Green, Green, Sky Blue, Purple, White



## Test Pin for Oscilloscope [ LC-33-G • LC-33-S ] (1000/pack)

PAT

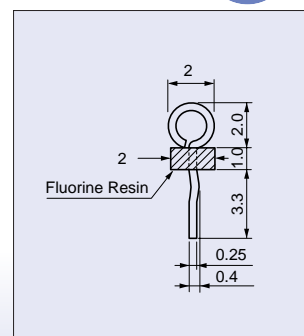
Can hook oscilloscope probe  
 Material...Metal part...Phosphor Bronze 0.3  
                   Plastic part...Fluorine Resin(UL94V-0)  
 Finish..... LC-33-G.....Plated Au over Ni base  
                   LC-33-S .....Plated Sn over Ni base  
 PCB TH Diameter.....0.8  
 Operating Temperature..... - 40 ~ + 150°C  
 Color...Brown, Red, Orange, Yellow



## Test Pin for Oscilloscope [ LC-4-G • LC-4-S ] (1000/pack)

PAT

Can hook oscilloscope probe  
 Material...Metal part...Phosphor Bronze 0.25  
                   Plastic part...Fluorine Resin(UL94V-0)  
 Finish..... LC-4-G.....Plated Au over Ni base  
                   LC-4-S .....Plated Sn over Ni base  
 PCB TH Diameter.....0.3 ~ 0.4  
 Operating Temperature..... - 40 ~ + 150°C  
 Color.....Red, Yellow, Blue, White, Black



**MAC8**

No.1 distributor of MAC8

**SHINDENKIZAI Co., LTD.**

Contact  
 e-mail: sdk@mac8sdk.co.jp FAX: +81-3-3253-5965

[http://www.mac8sdk.co.jp/index\\_e.html](http://www.mac8sdk.co.jp/index_e.html)